

July 10, 2017



CAS-2700-67

BACnet® IP and MQTT Gateway

PRODUCT DESCRIPTION

Chipkin's™ BACnet® IP and MQTT gateway is a protocol converter that can 1) read various data points from BACnet® IP devices and publish the data to a MQTT Broker or 2) subscribe to topics on a MQTT Broker and make the data available as BACnet® objects. The gateway operates by reading the values from the devices and stores the data into an internal database. The values read from these devices can then be read using BACnet® IP and/or MQTT.

The gateway requires minimal configuration and can be considered a 'plug and play' component of any network system. It's ready to operate 'out of the box' and can be installed without an engineer's approval.



Note: All gateways sold by Chipkin report operating stats and issues to web pages and maintain logs that can be uploaded by HTTP or ftp.

SPECIFICATIONS

The following specifications for the BACnet® IP and MQTT gateway are common to all Chipkin gateways.

- UL and ULc approved
- 10/100BASE-T with RJ-45 connector
- 1x RS232 port
- 1x RS485 port (different models have additional ports)
- Power: 7 – 24 VDC through an external power supply
- Operating temperature: 0 – 70 °C (32 – 158 °F)
- LEDs: link, speed/data, power
- Dimensions (LxWxH): 107 x 83 x 25 mm (4.2 x 3.25 x 1 in.)

MAXIMUM NODES SUPPORTED

This table summarizes the number of panels supported for each protocol node.

GATEWAY NODE	NODES	COMMENTS
Client	*	- As BACnet Client, can connect to multiple BACnet devices and poll for values. - As MQTT Subscriber, can connect to multiple MQTT Brokers and subscribe to multiple topics.
Server	*	- As BACnet Server, can accept multiple requests from multiple BACnet Clients. - As MQTT Publisher, can publish data to multiple MQTT Brokers.



*** Note:** This gateway supports a maximum of 500 data points. If you require additional data points, please contact us for more information.

CONNECTION INFORMATION

This gateway contains two serial ports:

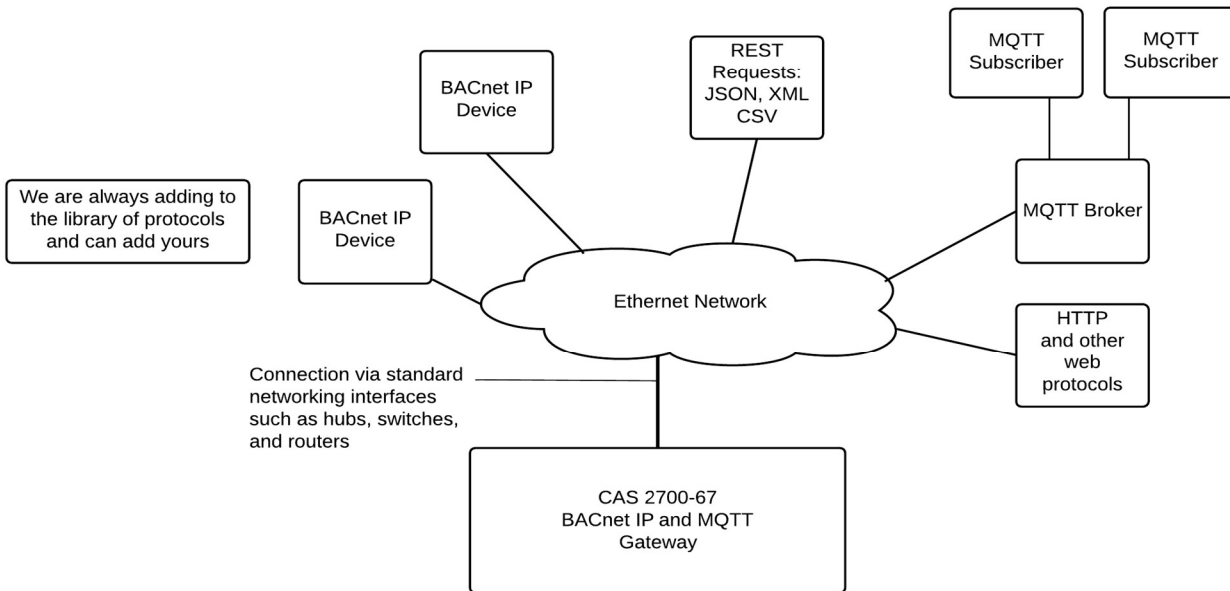
- 1 RS485 Port (Port 0)
- 1 RS232 Port (Port 1)

These ports are not used in the CAS 2700-67 BACnet® IP and MQTT Gateway.

CONNECTION CONFIGURATIONS

This block diagram lists common network connections that can monitor or control data using the BACnet® IP and MQTT protocols.

CAS 2700-67 BACnet IP and MQTT Gateway as a BACnet Client and MQTT Publisher



CUSTOMER SUPPORT

CAS-2700-67 BACnet® IP and MQTT gateway was developed by Chipkin, and we are proud to provide support for our products. For technical support, sales and customer service, please call us at 1 (866) 383-1657.

REVISION HISTORY

This table summarizes the update history for this gateway data sheet. Please contact Chipkin by phone or email for an updated version of this document.

DATE	RESP.	DRIVER VERIFIED	DOCUMENT REVISION	COMMENTS
7 Jul 2017	ACF	0.10	00	Created.
11 Jul 2017	ACF	0.10	01	Revised. Updated header and footer banners.

Thanks for choosing Chipkin’s protocol gateways, data clients and integration services to meet your building and industrial automation requirements!

Chipkin™ is a building and industrial automation protocol expert. We develop, configure, install and support gateways (protocol converters), data loggers and remote monitor and controlling applications. Founded in October 2000, Chipkin provides expert solutions for converting BACnet®, Modbus®, and Lonworks®—to name just a few—and enabling interfaces for HVAC, fire, siren, intercom, lighting, transportation and fuel systems. The high-quality products we offer (including those from other vendors) interface with Simplex™, Notifier™, McQuay™, GE™ and many others—so you can rest assured that we will select the most appropriate solution for your application.

With Chipkin you are buying a solution. Our configuration expertise in this field combined with free BACnet and other tools ensure your success; and our customer support via phone, email and remote desktop tools means that we’re there when you need us. Chipkin is a small responsive company, and we live or die by the quality of our service—and with offices in two time zones—we can provide support when you need it. Give us a call now!

Sales and Customer Service

Toll free: 1-866-383-1657

Email: salesgroup1@chipkin.com

All contents are Copyright © 2000-2017 Chipkin Automation Systems. All rights reserved.
This document is Chipkin Public Information.