



IntesisBox Modbus Server

LG Air Conditioning

User's Manual

Issue Date: 06/2016
r1 eng

Intesis 

© Intesis Software S.L. 2016 All Rights Reserved.

Information in this document is subject to change without notice. The software described in this document is furnished under a license agreement or nondisclosure agreement. The software may be used only in accordance with the terms of those agreements. No part of this publication may be reproduced, stored in a retrieval system or transmitted in any form or any means electronic or mechanical, including photocopying and recording for any purpose other than the purchaser's personal use without the written permission of Intesis Software S.L.

Intesis Software S.L.
Milà i Fontanals, 1 bis
08700 Igualada
Spain

TRADEMARKS

All trademarks and tradenames used in this document are acknowledged to be the copyright of their respective holders.

Gateway for the integration of LG compatible systems into Modbus (RTU and TCP) control and monitoring systems.

Five models are available for this gateway, with the following **Order Codes**:

LG-AC-MBS-4

Model supporting up to 4 indoor units.

LG-AC-MBS-8

Model supporting up to 8 indoor units.

LG-AC-MBS-32

Model supporting up to 32 indoor units.

LG-AC-MBS-64

Model supporting up to 64 indoor units.

INDEX

1. Description	5
1.1 Introduction	5
1.2 Integration signals	5
1.3 Functionality	6
1.4 Capacity of IntesisBox	7
2. Modbus interface of IntesisBox	8
2.1 Functions supported	8
2.2 Modbus RTU	8
2.3 Modbus TCP	8
2.4 Address Map	8
2.4.1 Modbus addresses related to Indoor Units 1...64	8
3. LinkBoxMB. Configuration & monitoring tool.....	10
3.1 Introduction	10
3.2 Connections configuration	10
3.2.1 Configuration tab	10
3.2.2 <i>Modbus map</i> tab	13
3.3 Sending the configuration to IntesisBox.....	14
3.4 Signals viewer	14
3.5 Files	15
4. Setup process and troubleshooting	16
4.1 Pre-requisites.....	16
4.2 Setup procedure	16
5. Connections	17
6. Functional characteristics.....	18
7. Mechanical & Electrical characteristics	19
8. Dimensions.....	20
9. AC Unit Types compatibility	21
10. Error codes for Indoor and Outdoor Units	21
11. Annexes	22
11.1 PMNFP14Ax and PHNFP14A0 connection boards.....	22
11.1.1 PMNFP14Ax.....	22
11.1.2 PHNFP14A0	23
11.2 Indoor unit PCB address	24

1. Description

1.1 Introduction

IntesisBox Modbus Server – LG AC is a communication gateway for LG AC system integration into a Modbus supervision/control/automation system through PLC, SCADA and in general through any device or system with a Modbus mastering (TCP or RTU) interface.

Thanks to IntesisBox, up to 64 Indoor Units can be integrated, allowing a maximum of 4 indoor units (LG-AC-MBS-4), 8 indoor units (LG-AC-MBS-8), 32 indoor units (LG-AC-MBS-32) or 64 indoor units (LG-AC-MBS-64).

This integration may require the LG AC system being equipped with a LG PI485 interface. Otherwise, direct connection to the outdoor unit will be enough.

PI485 interface is supplied by LG. Contact your nearest LG AC Systems distributor for details.

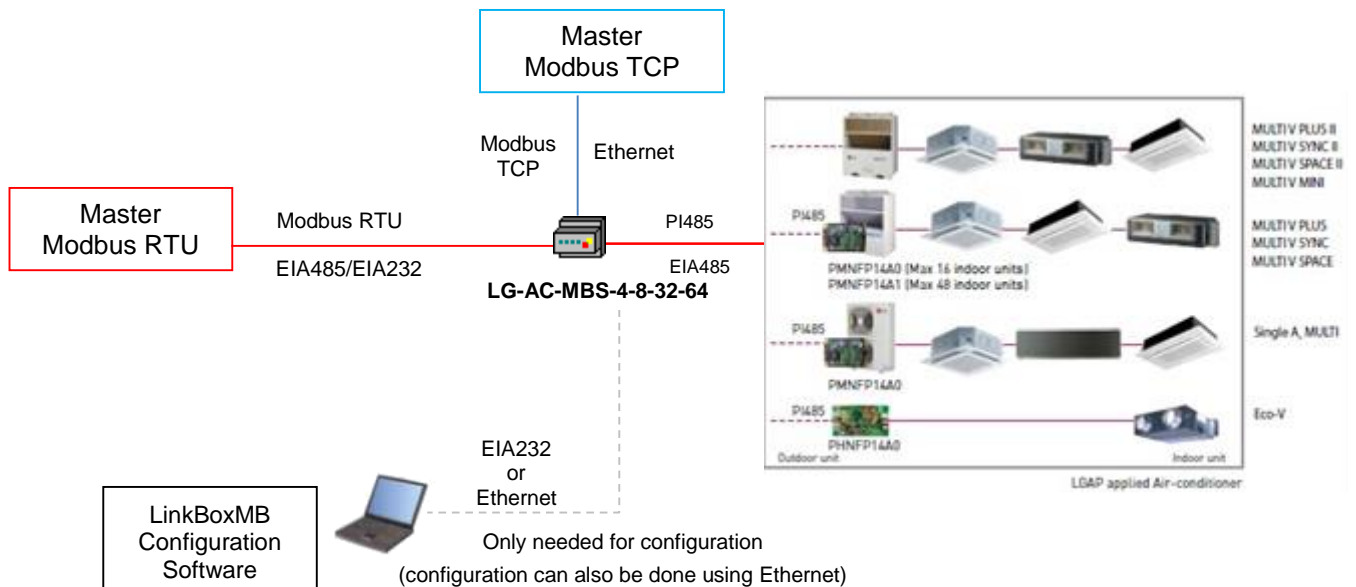
1.2 Integration signals

Following is the list of parameters that can be monitored/controlled on the indoor and outdoor units using IntesisBox:

Signal	Indoor Unit Type			
	AC	Vent	DX	AWHP
Communication AC Error	R	R	R	R
On/Off	RW	-	RW	RW
Mode	RW	-	RW	RW
Set Point Temperature	RW	-	RW	-
Ambient Temperature	R	-	R	R
Swing	RW	-	-	-
Fan Speed	RW	RW	RW	-
Remote Control	RW	RW	RW	RW
Error Code	R	R	R	R
Error Sign	R	R	R	R
On/Off (VENT)	-	RW	RW	-
Mode (VENT)	-	RW	RW	-
Filter Alarm	-	R	-	-
Supply Air Temperature	-	-	R	-
Outdoor Air Temperature	-	-	R	-
Heater	-	-	RW	-
Power Saving	-	-	RW	-
Rapidity	-	-	RW	-
Humidifier	-	-	R	-
Set Point Temperature Mode	-	-	-	R
Set Point Temperature AWHP	-	-	-	RW
Hot Water On/Off	-	-	-	RW
Hot Water Only	-	-	-	R
Set Point for Hot Water	-	-	-	RW
Water Inlet Temperature	-	-	-	R
Water Discharge Temperature	-	-	-	R
Water Tank Temperature	-	-	-	R
Solar Source Temperature	-	-	-	R
Accumulated Power (if PDI is present)	R	-	R	R

1.3 Functionality

Every one of the mentioned signals is associated to a predefined fixed Modbus address, with this, all the system is seen as a single Modbus slave unit with a fixed Modbus address map.



Both Modbus Modes can be simultaneously active in IntesisBox (Modbus RTU and Modbus TCP) or individually

IntesisBox continuously polls all signals provided by the LG PI485 bus and maintains the updated values to be served in Modbus.

When a write is done from Modbus in a gateway's write-enabled Modbus address, the corresponding order is sent to the associated LG signal.

In the continuous polling of the LG PI485 bus, if no response of a certain Indoor Unit is detected, the corresponding virtual signal inside the gateway will be activated indicating communication error with the Indoor Unit.

Each Indoor Unit in the LG AC system has a unique address (0 to 63). This address needs to be configured in IntesisBox using LinkBoxMB tool, explained in this document.

1.4 Capacity of IntesisBox

Element	Max.	Notes
Number of indoor units	64*	Maximum number AC indoor units that can be controlled
Number of LG PI485 connections	16	Maximum number of PI485 Cards or Outdoor Units (if no PI485 card is required) that can be connected to a single IntesisBox
Number of variables per indoor unit	30	Modbus addresses
Maximum number of variables	1920*	Modbus addresses

*There are four different models of *IntesisBox Modbus Server – LG AC* each with different capacity. The table above shows the capacity for the top model (with maximum capacity).

Their order codes are:

- Model supporting up to 4 LG indoor units. *Ref.: LG-AC-MBS-4*
- Model supporting up to 8 LG indoor units. *Ref.: LG-AC-MBS-8*
- Model supporting up to 32 LG indoor units. *Ref.: LG-AC-MBS-32*
- Model supporting up to 64 LG indoor units. *Ref.: LG-AC-MBS-64*

2. Modbus interface of IntesisBox

2.1 Functions supported

This part is common for Modbus RTU and TCP.

Modbus functions 03 and 04 (*read holding registers* and *read input registers*) can be used to read Modbus registers.

Modbus function 06 (*Single Holding Registers*) and 16 (*Write Multiple Holding Registers*) must be used to write Modbus registers.

As per Modbus standard specification, register contents are always expressed in MSB..LSB.

Modbus error codes are fully supported; they will be sent whenever a non-valid Modbus action or address is required.

2.2 Modbus RTU

Baud rate can be selected from 1200, 2400, 4800, 9600, 19200, 38400 and 56700.

Data Bits: 8

Parity can be selected from none, even and odd.

Stop Bits can be selected from 1 and 2.

Modbus slave number can be configured. Physical connection (EIA232 or EIA485) can also be selected.

Only the lines RX, TX and GND of the EIA232 connector are used (TX and RX for EIA485).

2.3 Modbus TCP

The TCP port to use can be configured (by default 502 is used).

The IP address, subnet mask and default gateway address to use by IntesisBox can be also configured.

2.4 Address Map

2.4.1 Modbus addresses related to Indoor Units 1...64

Modbus address* (base addr is 1)	Modbus register type (R/W)				Signal description and values
	AC	VENT	DX	AWHP	
(IU(0..63)*50) + 1	R	R	R	R	Communication status <ul style="list-style-type: none"> ▪ 0: OK ▪ 1: Error
(IU(0..63)*50) + 2	RW	-	RW	RW	Indoor Unit On/Off <ul style="list-style-type: none"> ▪ 0: Off ▪ 1: On
(IU(0..63)*50) + 3	RW	-	RW	RW	Operation Mode <ul style="list-style-type: none"> ▪ 0: Cool ▪ 1: Heat ▪ 2: Dry ▪ 3: Fan ▪ 4: Auto
(IU(0..63)*50) + 4	RW	-	RW	-	Set point temperature <ul style="list-style-type: none"> ▪ 18°C to 30°C (Celsius value x 10)

(IU(0..63)*50) + 5	R	-	R	R	Ambient temperature ▪ -10°C to 50°C (Celsius value x 10)
(IU(0..63)*50) + 6	RW	-	-	-	Swing ▪ 0: Stop ▪ 1: Start
(IU(0..63)*50) + 7	RW	RW	RW	-	Fan Speed ▪ 0: Auto ▪ 1: Low ▪ 2: Middle ▪ 3: High
(IU(0..63)*50) + 8	RW	RW	RW	RW	Remote Controller Restriction ▪ 0: Remote Controller Enabled ▪ 1: Remote Controller Disabled
(IU(0..63)*50) + 9	R	R	R	R	Indoor Unit Error Code ▪ 0: No Error ▪ 100-999: Error Code
(IU(0..63)*50) + 10	R	R	R	R	Indoor Unit Error Sign ▪ 0: No Error ▪ 1: Error
(IU(0..63)*50) + 11	-	RW	RW	-	Ventilation On/Off ▪ 0: Off ▪ 1: On
(IU(0..63)*50) + 12	-	RW	RW	-	Ventilation Operation Mode ▪ 0: Normal ▪ 1: Heater Exchange ▪ 4: Auto
(IU(0..63)*50) + 13	-	R	-	-	Filter Alarm ▪ 0: Filter Alarm Not Present ▪ 1: Filter Alarm Present
(IU(0..63)*50) + 15	-	-	R	-	Supply Air Temperature ▪ -10 to 50 °C (Celsius value x 10)
(IU(0..63)*50) + 16	-	-	R	-	Outdoor Air Temperature ▪ -10 to 50 °C (Celsius value x 10)
(IU(0..63)*50) + 17	-	-	RW	-	Heater
(IU(0..63)*50) + 18	-	-	RW	-	Power Saving
(IU(0..63)*50) + 19	-	-	RW	-	Rapidity
(IU(0..63)*50) + 20	-	-	R	-	Humidifier
(IU(0..63)*50) + 21	-	-	-	R	Set Point Temperature Mode ▪ Celsius value x 10
(IU(0..63)*50) + 22	-	-	-	RW	Set Point Temperature AWHP ▪ 18 to 30 °C (Air)/6 to 80°C (Water)
(IU(0..63)*50) + 23	-	-	-	RW	Hot Water On/Off ▪ 0: Off ▪ 1: On
(IU(0..63)*50) + 24	-	-	-	R	Hot Water Only
(IU(0..63)*50) + 25	-	-	-	RW	Set Point Temperature for Hot Water ▪ Celsius value x 10
(IU(0..63)*50) + 26	-	-	-	R	Water Inlet Temperature ▪ Celsius value x 10
(IU(0..63)*50) + 27	-	-	-	R	Water Discharge Temperature ▪ Celsius value x 10
(IU(0..63)*50) + 28	-	-	-	R	Water Tank Temperature ▪ Celsius value x 10
(IU(0..63)*50) + 29	-	-	-	R	Solar Source Temperature ▪ Celsius value x 10
(IU(0..63)*50) + 30	R	R	R	R	Accumulated Power (If PDI is present) ▪ 0 to 99999.9 kWh

IU is the indoor unit index value. In LinkBoxMB configuration it must be its indoor unit Main Address (0..63). This information must be provided by LG's installer before configuration is done.

3. LinkBoxMB. Configuration & monitoring tool.

3.1 Introduction

LinkBoxMB is a Windows® compatible software developed specifically to monitor and configure IntesisBox Modbus Server series.

The installation procedure and main functions are explained in the *LinkBoxMB User Manual*. This document can be found in the Doc folder, or can be downloaded from the link indicated in the installation sheet supplied with the IntesisBox device.

In this section, only the specific case of LG indoor unit's integration to Modbus networks will be covered.

3.2 Connections configuration

To configure the IntesisBox connection parameters and to see the points list, press on the **Config** button in the *menu bar* (see Figure 3.1). The *LG Configuration* window will open (see **Figure 3.2**). For integrations with large number of points, there is available an alternative CSV installation procedure explained in the LinkBoxMB User Manual.

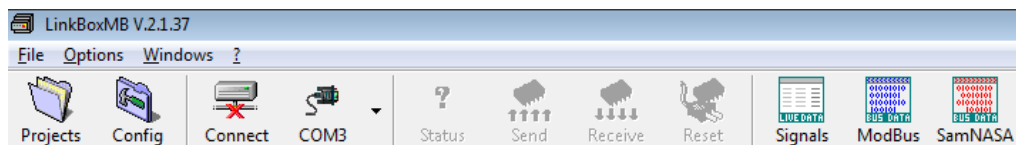


Figure 3.1 LinkBoxMB menu bar

3.2.1 Configuration tab

Select the **Connection** tab to configure the connection parameters. Two subsets of information are shown in this window: Modbus RTU, Modbus TCP and LG interfaces parameters (see **Figure 3.2**).

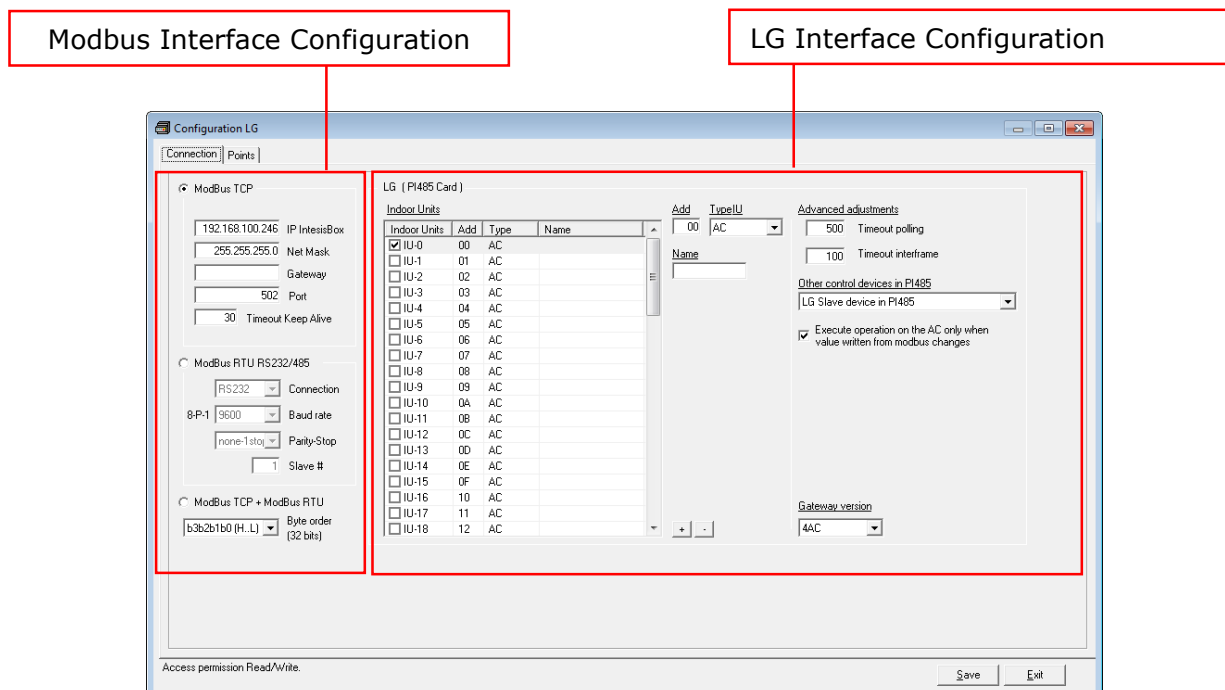


Figure 3.2 LinkBoxMB configuration tab

- Modbus interface configuration parameters:

Figure 3.3 Modbus Interface Configuration

1. **Select the type of Modbus communication to use** (TCP, RTU or both).

If Modbus TCP is selected, then:

2. **IP IntesisBox:** Enter the IP address for IntesisBox.
3. **Net Mask:** Enter the IP net mask for IntesisBox.
4. **Gateway:** Enter the default gateway address for IntesisBox; leave it blank if no router is needed.
5. **Port:** Enter the TCP port to use (default for Modbus TCP is 502).
6. **Timeout Keep Alive:** Enter the time (expressed in seconds) that IntesisBox will wait, upon no TCP activity, to send a Keep Alive packet. Enter 0 if you don't want IntesisBox to send any Keep Alive packet (default 30 seconds).

If Modbus RTU is selected, then:

7. **Connection:** Select the physical media (EIA232 or EIA485)¹.
8. **Baud rate:** Enter the baud rate of the serial communication.
9. **Parity:** Enter the byte parity of the serial communication.
10. **Slave:** Introduce the Slave number for the Modbus interface.
11. **Byte Order (32 bits):** Select the proper Byte order for the 32 bits Modbus register to match your Modbus Master format type.

¹ In the LinkBoxMB this connection is labeled as EIA232 and EIA485 respectively.

- LG (PI485 Card) interface configuration parameters:

Figure 3.4 LG AC Configuration

- 1. Indoor Units list.** In this list, you can individually enable each of the 64 indoor units available on the system. The index in the column “Indoor unit” (i.e. the number x in “IU-xxx”) is the reference that will be used later on (in tab “Signals”) to refer to this AC indoor unit. Values for columns “Add”, “Type” and “Name” in each indoor unit (IU) can be changed by selecting the IU in the list, by means of textboxes 2, 3 and 4.
- 2. Indoor Unit address.** Main address of the Indoor Unit.
- 3. Name.** Optionally you can enter a name, which will appear on the list (1), for each IU.
- 4. Indoor Unit Type.** You need to select the type of indoor unit so the right signals can be applied. By default, it is set to AC type.

Additional configuration parameters below should generally be left to their default value. They only might need to be tuned in some very specific cases (installations with large number of units, scenarios with large bursts of commands sent at once...)

- 5. Timeout polling.** Time waiting response from the LG PI485 bus when polling is performed.
- 6. Timeout interframe.** Minimum time between RX and TX frames sent to the LG PI485 bus.
- 7. Other control devices in PI485.** In this list you will be able to select between:
 - **No other controller in PI485:** That means that the IntesisBox is the only controller present in the PI485 bus.
 - **LG Slave device in PI485:** That means that there is second controller in the LG PI485 bus working as a Slave.

- **LG Slave device in PI485, with PDI feature:** That means that there is second controller in the LG PI485 bus working as a Slave and support PDI (Power Distribution Indication) feature.

- Execute operation on the AC only when value written from Modbus changes.** If this check box is selected, commands to the AC system will only be sent if they have a different value from the current one. This is used to avoid overflow of the communication between the AC system and the IntesisBox.

On the contrary, if this parameter is unchecked, then the commands will be sent to the AC system every time they are received from the Modbus side, independently from its value. Default and recommended value is checked.

- Gateway version.** In the right lower part of the IntesisBox configuration window, select which version of the *IntesisBox Modbus Server – LG* gateway you are to set up. (64AC for *LG-AC-MBS-64*, 32AC for *LG-AC-MBS-32*, 8AC for *LG-AC-MBS-8* or 4AC for *LG-AC-MBS-4*).

3.2.2 Modbus map tab

In order to know the Modbus map that is going to be used by the interface, the *Modbus map* tab can be consulted.

Content in this tab is just informative: no information has to be set up.

Address/Formula	AC	VENT	DX	Aw/HWP	Format	Signal	Values
(IU[0..63] * 50) + 1	R	R	R	R	16 bits unsigned	Communication AC Error	0-Ok, 1-Error
(IU[0..63] * 50) + 2	RW	-	RW	RW	16 bits unsigned	On/Off	0-Off, 1-On
(IU[0..63] * 50) + 3	RW	-	RW	RW	16 bits unsigned	Mode	0-Cool, 1-Heat, 2-Dry, 3-Fan, 4-Auto
(IU[0..63] * 50) + 4	RW	-	RW	-	16 bits signed * 10	Setpoint Temp	18 to 30 °C
(IU[0..63] * 50) + 5	R	-	R	R	16 bits signed * 10	Ambient Temp	-10 to 50 °C
(IU[0..63] * 50) + 6	RW	-	-	-	16 bits unsigned	Swing	0-Stop, 1-Start
(IU[0..63] * 50) + 7	RW	RW	RW	-	16 bits unsigned	Fan Speed	0-Auto, 1-Low, 2-Middle, 3-High
(IU[0..63] * 50) + 8	RW	RW	RW	RW	16 bits unsigned	Remote Control	0-Enabled, 1-Disabled
(IU[0..63] * 50) + 9	R	R	R	R	16 bits unsigned	Error Code	0-No error, X-Error (1 to 255)
(IU[0..63] * 50) + 10	R	R	R	R	16 bits unsigned	Error Sign	0-Normal, 1-Error
(IU[0..63] * 50) + 11	-	RW	RW	-	16 bits unsigned	On/Off (VENT)	0-Off, 1-On
(IU[0..63] * 50) + 12	-	RW	RW	-	16 bits unsigned	Mode (VENT)	0-Normal, 1-Heater_Exchange, 4-Auto
(IU[0..63] * 50) + 13	-	R	-	-	16 bits unsigned	Filter Alarm	0-Normal, 1-Sign
(IU[0..63] * 50) + 14	-	W	-	-	16 bits unsigned	Filter Reset (Reserved, not available)	1-Filter Reset
(IU[0..63] * 50) + 15	-	-	R	-	16 bits signed * 10	Supply Air Temp	-10 to 50 °C
(IU[0..63] * 50) + 16	-	-	R	-	16 bits signed * 10	Outdoor Air Temp	-10 to 50 °C
(IU[0..63] * 50) + 17	-	-	RW	-	16 bits unsigned	Heater	0-Off, 1-On
(IU[0..63] * 50) + 18	-	-	RW	-	16 bits unsigned	Power Saving	0-Off, 1-On
(IU[0..63] * 50) + 19	-	-	RW	-	16 bits unsigned	Rapidly	0-Off, 1-On
(IU[0..63] * 50) + 20	-	-	R	-	16 bits unsigned	Humidifier	0-Off, 1-On
(IU[0..63] * 50) + 21	-	-	-	R	16 bits unsigned	Setpoint Temp Mode	0-Air, 1-Water
(IU[0..63] * 50) + 22	-	-	-	RW	16 bits signed * 10	Setpoint Temp Aw/HWP	18 to 30 °C (AIR) / 6 to 80 °C (WATER)
(IU[0..63] * 50) + 23	-	-	-	RW	16 bits unsigned	Hot Water On/Off	0-Off, 1-On
(IU[0..63] * 50) + 24	-	-	-	R	16 bits unsigned	Hot Water Only	0-Off, 1-On
(IU[0..63] * 50) + 25	-	-	-	RW	16 bits signed * 10	Setpoint Temp for Hot Water	30 to 80 °C
(IU[0..63] * 50) + 26	-	-	-	R	16 bits signed * 10	Water Inlet Temp	0 to 100 °C
(IU[0..63] * 50) + 27	-	-	-	R	16 bits signed * 10	Water Discharge Temp	0 to 100 °C
(IU[0..63] * 50) + 28	-	-	-	R	16 bits signed * 10	Water Tank Temp	0 to 100 °C
(IU[0..63] * 50) + 29	-	-	-	R	16 bits signed * 10	Solar Source Temp	0 to 100 °C
(IU[0..63] * 50) + 30	R	-	R	R	32 bits float	Accumulated power (if PDI is present)	0 to 99999.9 kWh

Figure 3.5 Signals list

- Address Formula:** Formula used by IntesisBox to define the Modbus address for the point. Use this address (obtained with this formula) to access the point from your Modbus master device.
- R/W:** Indicates if the signal is read-only, write-only or if it can be read and written (from the Modbus system point of view). Depending on the different indoor unit type some of them will be available and some others will not.
- Signal:** Signal description.
- Values:** Possible values for the signal. See section 2.4 for further detail on address map and the possible values on each signal.

3.3 Sending the configuration to IntesisBox

When the configuration is finished, follow the next steps.

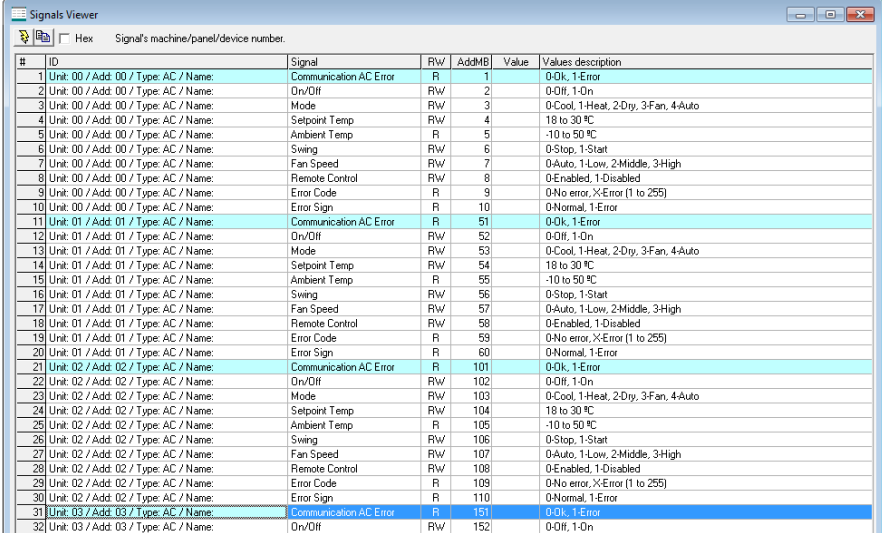
- 1.- Click on **Save** button to save the project to the project folder on your hard disk (more information in LinkBoxMB User Manual).
- 2.- You will be prompted to generate the configuration file to be sent to the gateway.
 - a.- If **Yes** is selected, the binary file (LGE.Lbox) containing the configuration for the gateway will be generated and saved also into the project folder.
 - b.- If **NO** is selected, remember that the binary file with the project needs to be generated before the IntesisBox starts to work as expected.
- 3.- Once in the configuration window again, click on **exit**. Configuration file is ready to be sent to the IntesisBox device.
- 4.- Press the **Send File** button to send the binary file to the IntesisBox device. The process of file transmission can be monitored in the IntesisBox Communication Console window. IntesisBox will reboot automatically once the new configuration is loaded.

After any configuration change, do not forget to send the configuration file to the IntesisBox using button Send File.

3.4 Signals viewer

Once the gateway is running with the correct configuration, to supervise the status of the configured signals, press the **Signals** button on the *menu* bar (see Figure 3.1). The Signals Viewer window will open (see Figure 3.6).

This window shows all signals active within the gateway with its main configuration parameters and its real time value¹ in the **Value** column.



#	ID	Signal	RW	AddrMB	Value	Values description
1	Unit: 00 / Add: 00 / Type: AC / Name:	Communication AC Error	R	1	0.Ok, 1-Error	
2	Unit: 00 / Add: 00 / Type: AC / Name:	Drn/Off	RW	2	0.Off, 1-On	
3	Unit: 00 / Add: 00 / Type: AC / Name:	Mode	RW	3	0.Cool, 1.Heat, 2.Dry, 3.Fan, 4.Auto	
4	Unit: 00 / Add: 00 / Type: AC / Name:	Setpoint Temp	RW	4	18 to 30 °C	
5	Unit: 00 / Add: 00 / Type: AC / Name:	Ambient Temp	R	5	-10 to 50 °C	
6	Unit: 00 / Add: 00 / Type: AC / Name:	Swing	RW	6	0.Stop, 1-Start	
7	Unit: 00 / Add: 00 / Type: AC / Name:	Fan Speed	RW	7	0.Auto, 1-Low, 2-Middle, 3High	
8	Unit: 00 / Add: 00 / Type: AC / Name:	Remote Control	RW	8	0.Enabled, 1-Disabled	
9	Unit: 00 / Add: 00 / Type: AC / Name:	Error Code	R	9	0.No error, X>Error (1 to 255)	
10	Unit: 00 / Add: 00 / Type: AC / Name:	Error Sign	R	10	0.Normal, 1-Error	
11	Unit: 01 / Add: 01 / Type: AC / Name:	Communication AC Error	R	51	0.Ok, 1-Error	
12	Unit: 01 / Add: 01 / Type: AC / Name:	Drn/Off	RW	52	0.Off, 1-On	
13	Unit: 01 / Add: 01 / Type: AC / Name:	Mode	RW	53	0.Cool, 1.Heat, 2.Dry, 3.Fan, 4.Auto	
14	Unit: 01 / Add: 01 / Type: AC / Name:	Setpoint Temp	RW	54	18 to 30 °C	
15	Unit: 01 / Add: 01 / Type: AC / Name:	Ambient Temp	R	55	-10 to 50 °C	
16	Unit: 01 / Add: 01 / Type: AC / Name:	Swing	RW	56	0.Stop, 1-Start	
17	Unit: 01 / Add: 01 / Type: AC / Name:	Fan Speed	RW	57	0.Auto, 1-Low, 2-Middle, 3High	
18	Unit: 01 / Add: 01 / Type: AC / Name:	Remote Control	RW	58	0.Enabled, 1-Disabled	
19	Unit: 01 / Add: 01 / Type: AC / Name:	Error Code	R	59	0.No error, X>Error (1 to 255)	
20	Unit: 01 / Add: 01 / Type: AC / Name:	Error Sign	R	60	0.Normal, 1-Error	
21	Unit: 02 / Add: 02 / Type: AC / Name:	Communication AC Error	R	101	0.Ok, 1-Error	
22	Unit: 02 / Add: 02 / Type: AC / Name:	Drn/Off	RW	102	0.Off, 1-On	
23	Unit: 02 / Add: 02 / Type: AC / Name:	Mode	RW	103	0.Cool, 1.Heat, 2.Dry, 3.Fan, 4.Auto	
24	Unit: 02 / Add: 02 / Type: AC / Name:	Setpoint Temp	RW	104	18 to 30 °C	
25	Unit: 02 / Add: 02 / Type: AC / Name:	Ambient Temp	R	105	-10 to 50 °C	
26	Unit: 02 / Add: 02 / Type: AC / Name:	Swing	RW	106	0.Stop, 1-Start	
27	Unit: 02 / Add: 02 / Type: AC / Name:	Fan Speed	RW	107	0.Auto, 1-Low, 2-Middle, 3High	
28	Unit: 02 / Add: 02 / Type: AC / Name:	Remote Control	RW	108	0.Enabled, 1-Disabled	
29	Unit: 02 / Add: 02 / Type: AC / Name:	Error Code	R	109	0.No error, X>Error (1 to 255)	
30	Unit: 02 / Add: 02 / Type: AC / Name:	Error Sign	R	110	0.Normal, 1-Error	
31	Unit: 03 / Add: 03 / Type: AC / Name:	Communication AC Error	R	151	0.Ok, 1-Error	
32	Unit: 03 / Add: 03 / Type: AC / Name:	Drn/Off	RW	152	0.Off, 1-On	

Figure 3.6 LinkBoxMB Signals Viewer

¹ In case you connect to the IntesisBox when it's been running for a certain time, you should press the *Refresh* button to get updated values. After pressing *Refresh*, all signal values will keep continuously updated until the connection is closed.

The signals viewer can be used even though only one system is connected to the IntesisBox, Modbus or LG AC. Therefore, it becomes convenient for supervision and testing the system.

In order to force a specific value to a signal, double-click its row in the table. This will display a dialog in which the desired value can be entered (see Figure 3.7). Changing its value in this way, will make:

- The content of the corresponding Modbus address will be changed to this value.
- If the signal is write-enabled, it will trigger a suitable command to LG AC system.

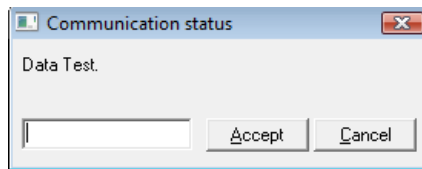


Figure 3.7 Signal value change window

3.5 Files

LinkBoxMB saves the integration configuration in the following files inside the project folder:

PROJECT.INI	INI file containing general information related to the project
LGE.INI	INI file containing information related with the values configured through the "Connection" tab in IntesisBox configuration
LGE.LBOX	Binary file created from the information in the files described above. This is the file downloaded to the IntesisBox.

Table 3.1 LinkBoxMB generated files during Project creation

It is strongly recommended to back up the project folder containing these files in external media, once the installation process is finished. This way you will be able to do future configuration changes in case of reinstallation of LinkBoxMB due, for example, to a failure of the hard disk in the PC where LinkBoxMB was installed.

The configuration cannot be uploaded from the gateway to LinkBoxMB, it can only be downloaded.

4. Setup process and troubleshooting

4.1 Pre-requisites

It is necessary to have the Modbus master device operative and well connected to the Modbus port of IntesisBox, remember to respect the maximum of 15 meters' cable distance if using EIA232 communication.

It is necessary to have suitable EIA485 bus network connection near IntesisBox with all LG Indoor Units connected to this network.

Connectors, connection cables, PC for LinkBoxMB, and other auxiliary material, if needed, are not supplied by Intesis Software for this standard integration. The items supplied by Intesis Software for this integration are:

- IntesisBox Modbus Server device LG AC external protocol firmware loaded.
- LinkBoxMB software to configure IntesisBox.
- Console cable needed to download the configuration to IntesisBox.
- Product documentation.

If requested, Intesis Software can also supply:

- Standard plug-in power supply 220Vac 50Hz to power IntesisBox (European plug type).

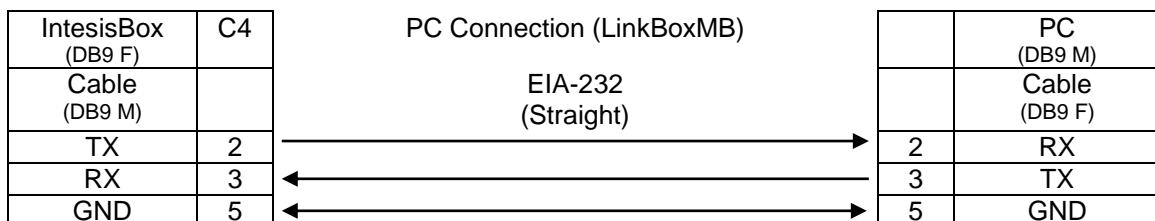
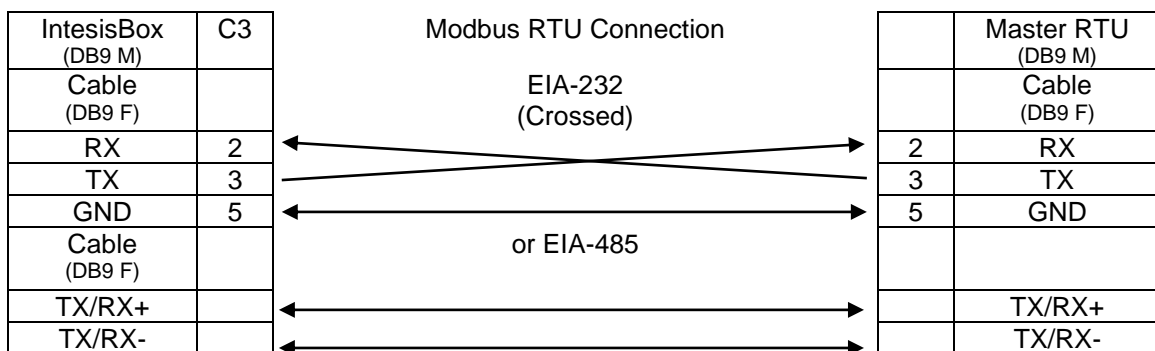
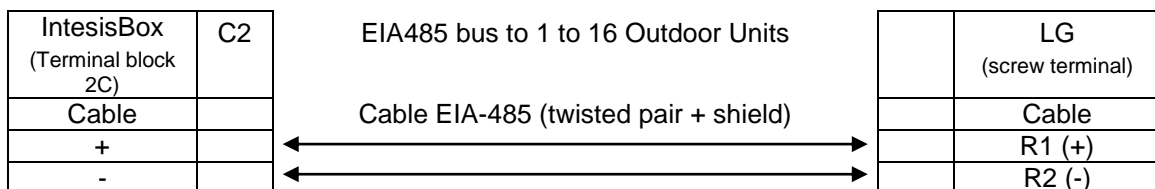
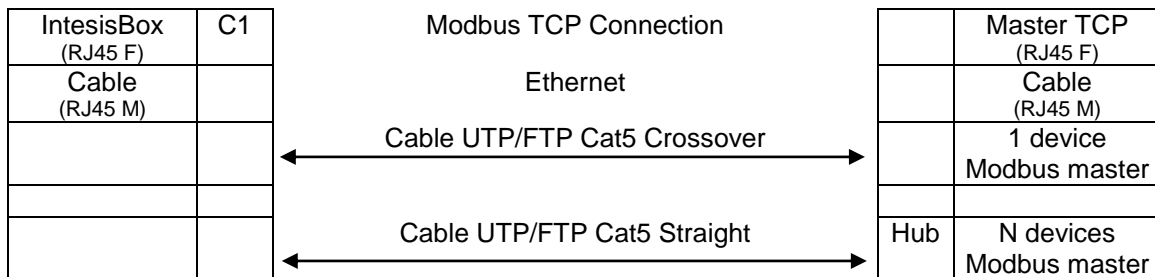
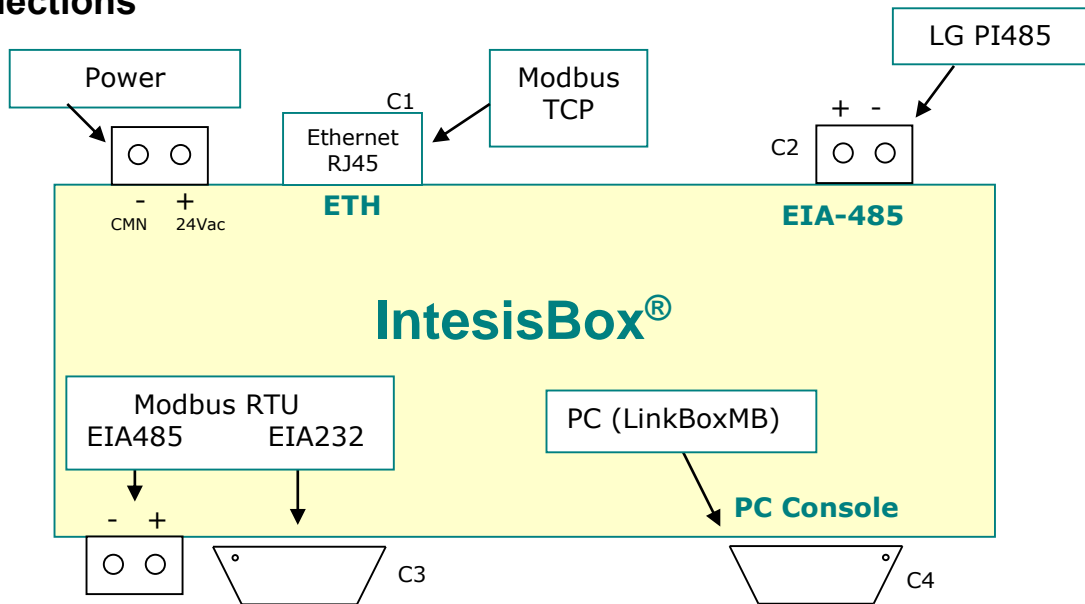
4.2 Setup procedure

1. Install LinkBoxMB on your laptop. Use the setup program supplied for this purpose and follow instructions given by the Installation wizard.
2. Install IntesisBox in the desired installation site. The mounting can be on DIN rail or on a stable not vibrating surface (DIN rail mounted inside a metallic industrial cabinet connected to ground and with restricted access is recommended). For your convenience, check external enclosure measures (see section 8) before deciding where to place the IntesisBox device.
3. Connect the communication cable coming from the Modbus master device to the port marked as **Modbus** of IntesisBox. Use EIA232, EIA485 or Ethernet port depending on the type of Modbus communication to use (See details for this communication cable in section 5).
4. Connect the EIA485 cable attached to LG's AC Outdoor unit to the port marked as **LG** of IntesisBox (See details for this communication cable in section 5).
5. Power up IntesisBox. The supply voltage can be 9 to 30 Vdc or just 24 Vac. You can use also the standard plug-in power supply 220/125VAC-12VDC/300mA supplied with the device (if requested). Take care of the polarity of the supply voltage applied.

WARNING! In order to avoid earth loops that can damage IntesisBox and/or any other equipment connected to it, we strongly recommend:

- The use of DC power supplies, floating or with the negative terminal connected to earth. **Never use a DC power supply with the positive terminal connected to earth.**
 - The use of AC power supplies only if they are floating and not powering any other device.
6. Connect the communication cable coming from the serial port of your laptop PC to the port marked as **PC Console** of IntesisBox or to the **Ethernet** port in case you want to communicate through IP connection (See details for this communication cable in section 5).
 7. Open LinkBoxMB and can check proper communication between the elements of the integration using the bus viewers and signal viewers. Check the LinkBoxMB manual for more information.

5. Connections



6. Functional characteristics

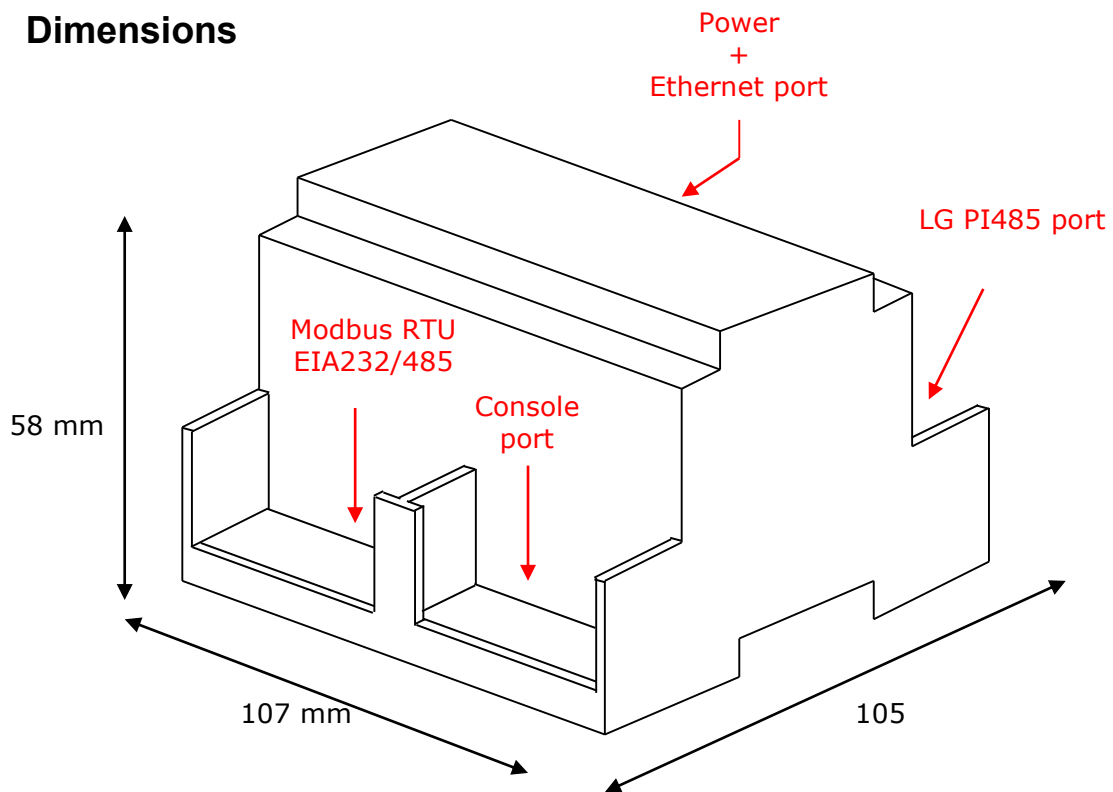
General	
Max. Number of LG interfaces	Up to 16 R1/R2 connections can be supported. There 4 different versions of IntesisBox, supporting a maximum 64, 32, 8 or 4 indoor units respectively.
Virtual signals	<ul style="list-style-type: none"> • One communication error virtual signal per every single Outdoor Unit in the system • One communication error virtual signal per every indoor unit. All these virtual signals are available from Modbus.
Modbus interface	
Device type	Slave.
Modbus modes supported	TCP, RTU EIA232 or EIA485.
Modbus TCP configuration parameters	<ul style="list-style-type: none"> • IP address. • Subnet mask. • Default gateway address. • TCP port.
Modbus RTU configuration parameters	<ul style="list-style-type: none"> • EIA232/EIA485. • Baud rate. • Parity. • Slave number.
Points	
Configuration	AC system related fields. <ul style="list-style-type: none"> • MIM interface or Outdoor Unit address: Address of the MIM interface or the Outdoor Unit each AC indoor unit Modbus memory block relates to. • Indoor unit main address: Main Address of the indoor each AC indoor unit Modbus memory block relates to.
Supported Modbus function codes	Read functions: <ul style="list-style-type: none"> • 3- Read holding registers. • 4- Read input registers. Write functions: <ul style="list-style-type: none"> • 6- Write single register. • 16-Write multiple holding register <p><i>If poll records are used to read/write multiple records, the range of addresses requested must contain valid addresses, otherwise the corresponding Modbus error code will be responded.</i></p>
Modbus data coding	All the point's values are coded in 2 byte registers (even if their possible values are 0 and 1). They are expressed in MSB..LSB format (big endian)

7. Mechanical & Electrical characteristics

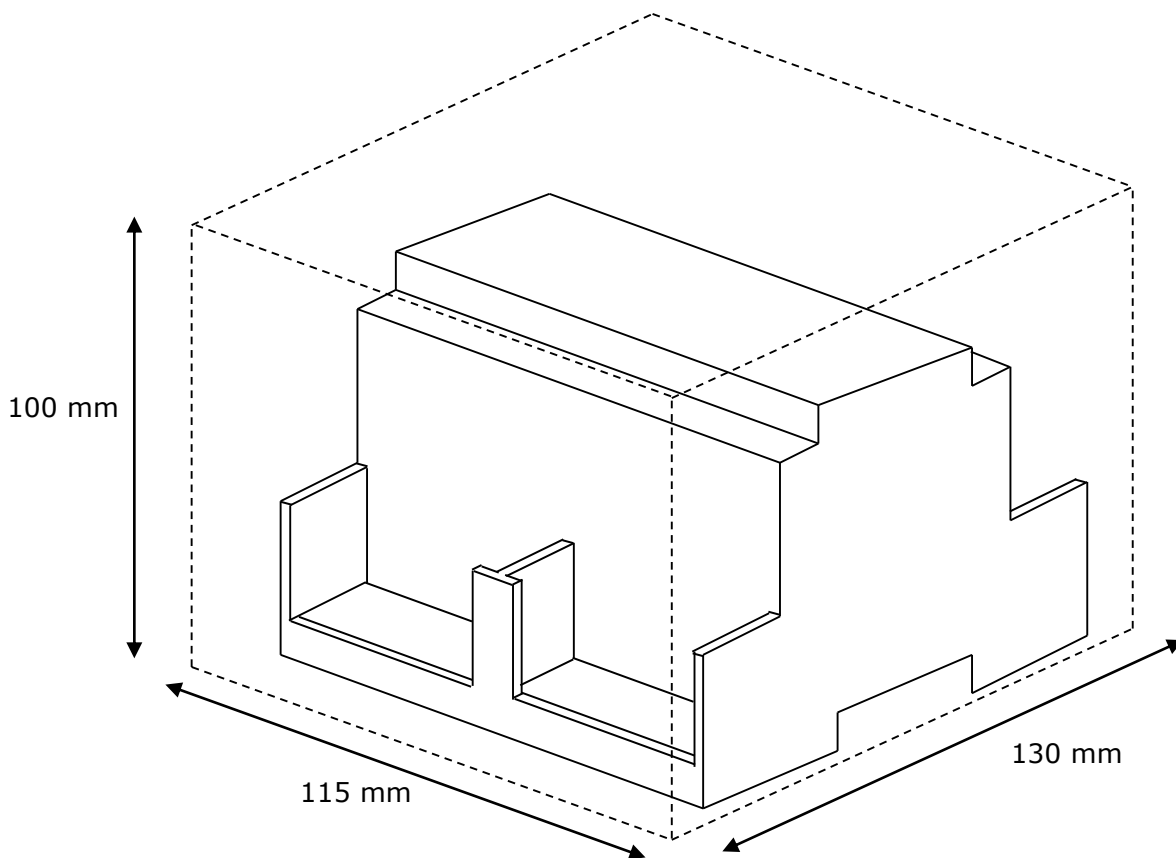
Enclosure	Plastic, type PC (UL 94 V-0). Dimensions: 107mm x 105mm x 58mm.
Color	Light Grey. RAL 7035.
Power	9 to 30Vdc +/-10%, Max.: 125mA. 24Vac +/-10% 50-60Hz, Max.: 127mA Must use a NEC Class 2 or Limited Power Source (LPS) and SELV rated power supply. Plug-in terminal block for power connection (2 poles).
Terminal wiring (for power supply and low-voltage signals)	Per terminal: solid wires or stranded wires (twisted or with ferrule) 1 core: 0.5mm ² ... 2.5mm ² 2 cores: 0.5mm ² ... 1.5mm ² 3 cores: not permitted
Mounting	Wall. DIN rail EN60715 TH35.
Modbus TCP port	1 x Ethernet 100Base-T (RJ45).
Modbus RTU ports	1 x Serial EIA232 (DB9 male DTE). SELV 1 x Serial EIA485 (Plug-in screw terminal block 2 poles). SELV
LG AC port	1 x EIA485. Plug-in screw terminal block (2 poles). SELV
LED indicators	1 x Power. 2 x Serial port Modbus RTU activity (Tx, Rx). 2 x Serial port LG AC activity (Tx, Rx). 2 x Ethernet port Modbus TCP link and activity (LNK, ACT).
Console port	EIA232. DB9 female connector (DCE). SELV
Configuration	Via console port. ¹
Firmware	Allows upgrades via console port.
Operational temperature	0°C to +70°C
Operational humidity	5% to 95%, non-condensing

¹ Along with the device it is also supplied a standard DB9 male - DB9 female 1.8 m. cable for configuring and monitoring the device using a PC via serial COM port. The configuration software LinkBoxMB, compatible with MS Windows® operating systems, is also supplied with the device.

8. Dimensions



Recommended available space for its installation into a cabinet (wall or DIN rail mounting), with space enough for external connections:



9. AC Unit Types compatibility

A list of LG unit model references compatible with LG-AC-MBS-4/8/32/64 and their available features can be found in:

http://intesis.com/pdf/IntesisBox_LG-AC-xxx-MIU_AC_Compatibility.pdf

10. Error codes for Indoor and Outdoor Units

Refer to the Error Code table of LG AC product manual for the error code.

11. Annexes

The explanations given in the following sections are just informative. Any action described should be performed by LG qualified personnel.

11.1 PMNFP14Ax and PHNFP14A0 connection boards

11.1.1 PMNFP14Ax

In this section it can be found a brief description and configuration of the board PMNFP14A0. This board is to be used with MultiV Plus, Multi Standard and MPS Inverter Product.

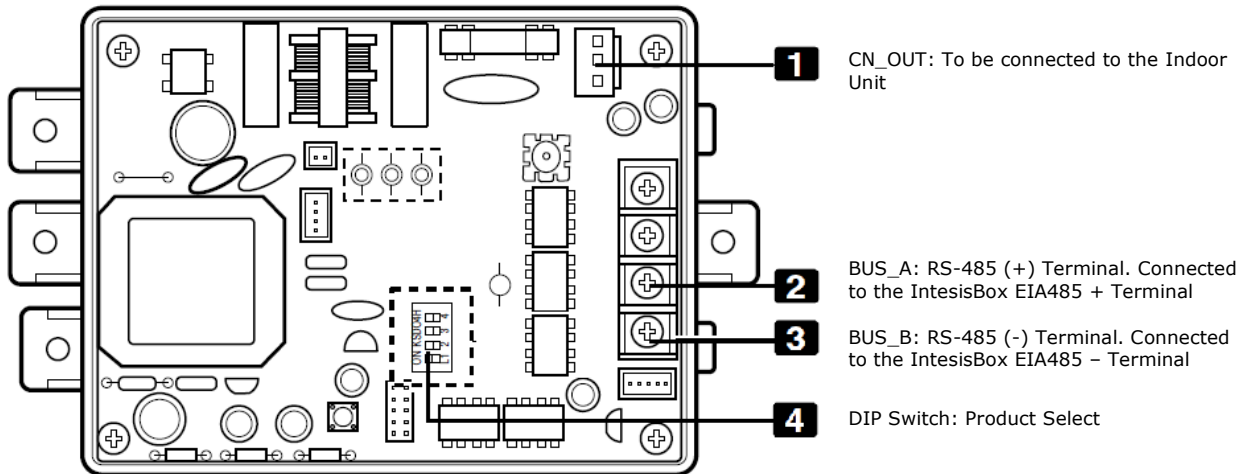


Figure 11.1 PMNFP14A0 board description

To allow the LG system to work with the IntesisBox MODBUS – LG the DIP switch (number 4 in Figure 11.1) needs to be configured in as shown in Figure 11.2.

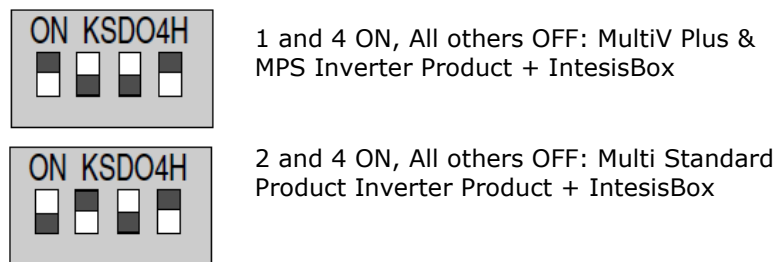


Figure 11.2 DIP switch configuration

11.1.2 PHNFP14A0

In this section it can be found a brief description and configuration of the board PHNFP14A0. This board is to be used with ECO-V products.

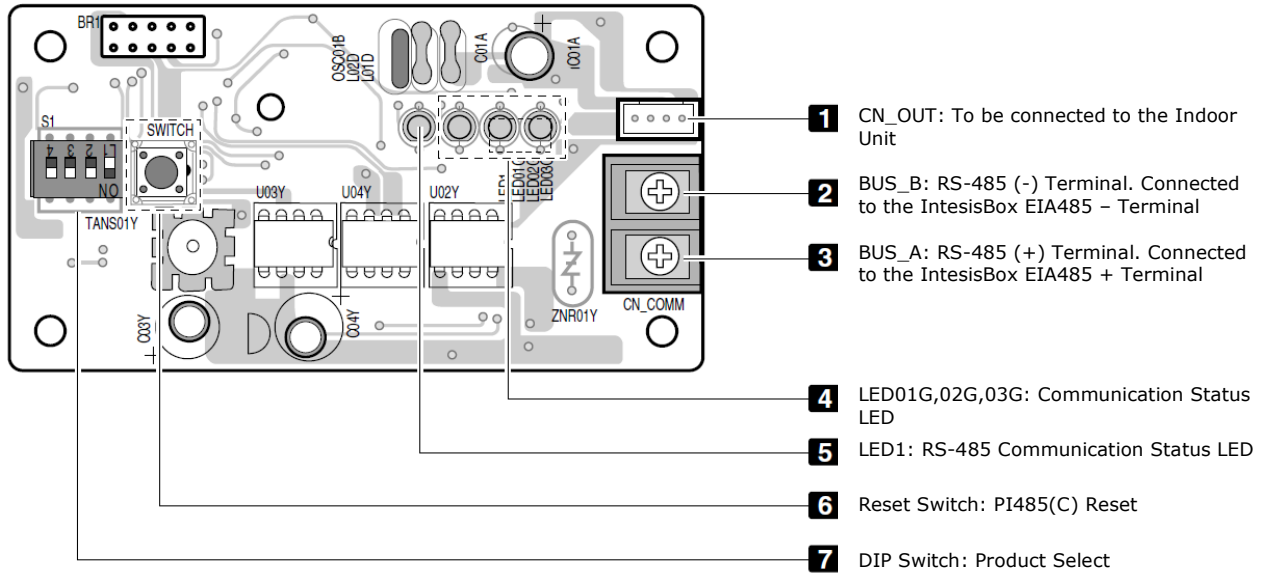


Figure 11.3 PHNFP14A0 board description

To allow the LG system to work with the IntesisBox MODBUS – LG the DIP switch (number 7 in Figure 11.3) needs to be configured in as shown in Figure 11.4.

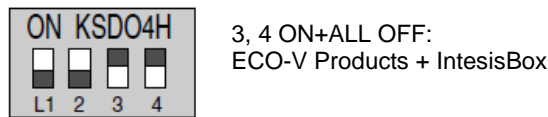


Figure 11.4 DIP switch configuration

For more information, read the LG PC Central Controller Installation Manual and the LG PI485 GATEWAY Installation Manual

11.2 Indoor unit PCB address

Each indoor Unit needs to have an address so that the IntesisBox can communicate with it. Once set, this address is the one that is going to be used in the connection tab of LinkBoxMB (section3).

Setting the Indoor Units addresses should be performed by LG qualified personnel at installation time and the LG installer needs to provide the list of addresses for Main addresses in an AC system before doing the configuration of IntesisBox.

To set the Indoor unit address there are two rotary switches (Figure 11.5), rotary low and Rotary High that allow the installer to set the desired address in the range.

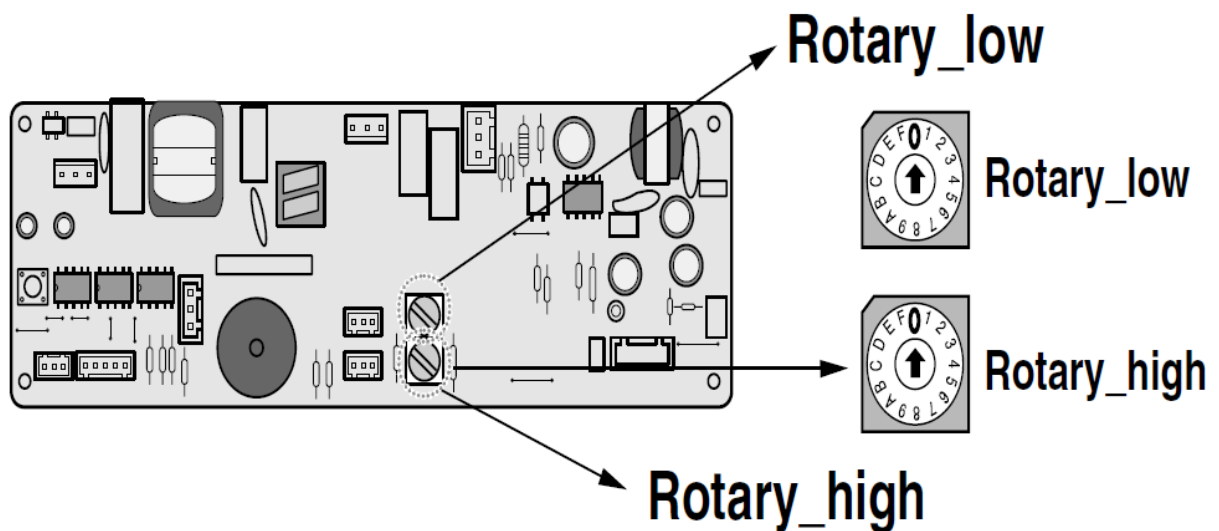


Figure 11.5 Ac Indoor address configuration

For more information, read the LG PC Central Controller Installation Manual.