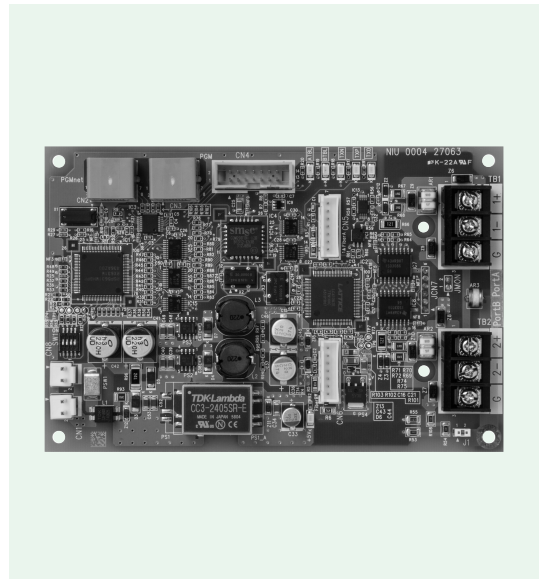


## PCA-2706XA NIU Network Interface Unit (NIU)

### Features

- UL 864, 9th edition listed
- Max. 64 nodes available on network
- NFPA Styles 4 and 7 wiring applicable
- 6 status LEDs
- Down-sized PC assembly
- Easy installation

SIGNALING



### Description

The PCA-2706XA NIU assembly is the optional component in the FACP system. The PCA-2706XA NIU is comprised of a central microprocessor, Arcnet controller and memory that allows it to communicate with other FACP's. The PCA-2706XA NIU communicates with the Main Control Unit (PCA-N3060-MCU) via RS-232C so that the PCA-2706XA NIU provides PCA-N3060-MCU with PCA-2706XA NIU status (i.e. open circuit in wiring for Port A and Port B) and information received from other FACP's on the network. When the PC-based Configuration Program (PCCP) is connected to the PCA-2706XA NIU, the information from PCCP is transmitted to PCA-N3060-MCU.

The PCA-2706XA NIU provides the system with the ability to construct the RS-485 network by which communication with other FACP's on the network is capable. The network is comprised of up to 64 nodes so that the system is able to have up to 195,840 addressable devices on the network. Using the optional Fiber-optic Interface Module (PCA-2707XA FIM or PCA-N3060-FIM2) together with PCA-2706XA NIU provides the system with the ability to use the fiber optic system for the network.

The PCA-2706XA NIU is equipped with six status LEDs. The [+5V] LED (green) indicates normal supply of 5 VDC to PCA-2706XA NIU when it is on. The [TXN] LED (green) indicates normal communication with PCA-N3060-MCU when flashing. The [TXP] LED (green) indicates normal communication with PCCP when flashing. The [TXD] LED (green) indicates normal communication with the network when it is on. The [ATBL] LED (yellow) indicates open circuit in wiring for Port A when it is on. The [BTBL] LED (yellow) indicates open circuit wiring for Port B when it is on.

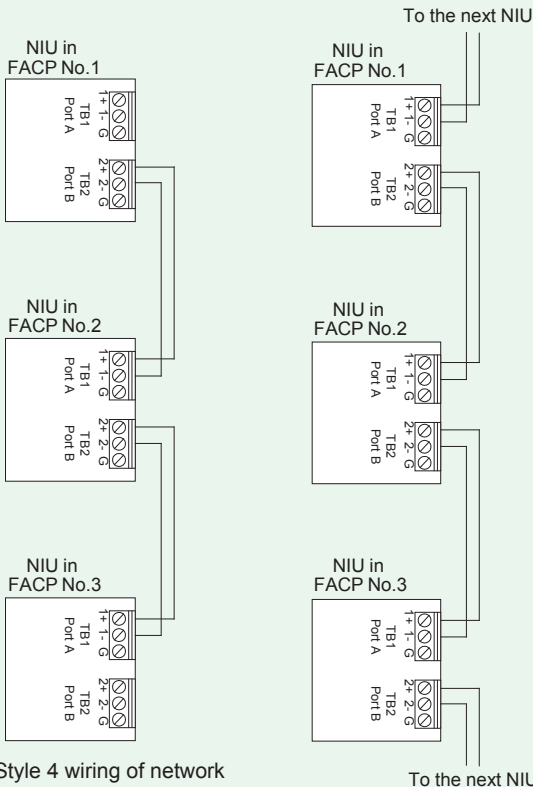
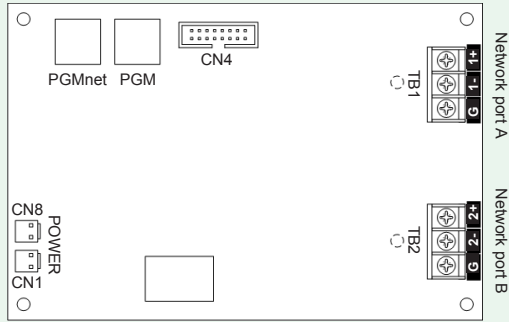
The 24 VDC power required for PCA-2706XA NIU operation is supplied from the Power Supply Module (PCA-N3060-PSU) to the PCA-2706XA NIU. The PCA-2706XA NIU changes over the 24 VDC to 5 VDC in its DC/DC converter and supplies it to its components (CPU, memory, etc.) for their operation. The 5 VDC power is also supplied to PCA-2707XA FIM or PCA-N3060-FIM2 for its operation when the PCA-2707XA FIM or PCA-N3060-FIM2 is used in system.

### Ordering Information

Part No. PCA-2706XA NIU

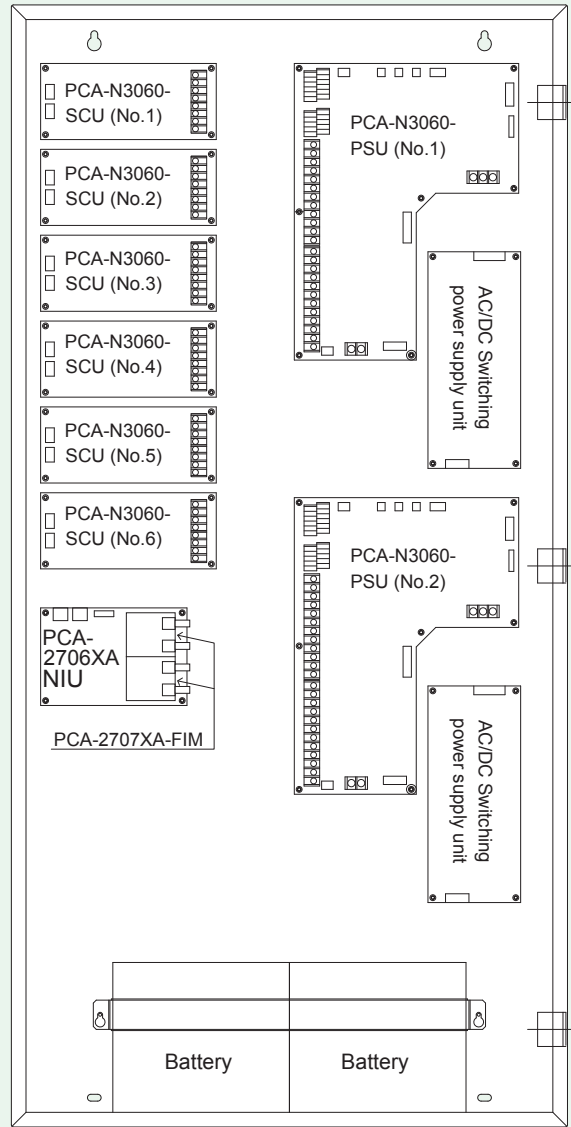
### Specifications

No.	Item	Specification
1	Maximum 24 VDC standby current	54 mA
2	Maximum 24 VDC alarm current	54 mA
3	Ambient operating temperature range	0 to 49 °C (32 to 120 °F)
4	Maximum ambient operating humidity	93 % non-condensing
5	Network connection	Daisy chain, RS-485
6	Network wiring style	NFPA Styles 4 and 7
7	Maximum no. of node	64
8	Maximum wiring DC resistance	72 Ω
9	Maximum wiring capacitance	80 nF
10	MCU/PCCP connection	RS-232C
11	Dimensions	150 mm (5.9") (H) x 100 mm (3.94") (W) x 25 mm (0.98") (D)



Style 4 wiring of network

Style 7 wiring of network



**NOTE**

- The information contained herein does not purport to cover all the details or variations of the equipment described, nor to provide for every possible contingency that may be met in connection with its installation, operation or maintenance.
- Specifications are subject to change without notice. Contact Nohmi before relying on the information.
- Actual performance is based on proper application of the product by a qualified professional.
- Should further information be required or should particular concerns arise that are not covered sufficiently for the purchaser's purposes, the matter should be referred to Nohmi or your nearest distributor.



• Head Office: 4-7-3 Kudan-Minami, Chiyoda-ku, Tokyo 102-8277, Japan  
 • Phone: (81)3-3265-0231  
 • F A X: (81)3-3265-5348  
 URL <https://www.nohmi.co.jp/english/>

Contact