

# FS-8705-20 – SMA Solar Technology AG – SUNNY WEBBOX

DATASHEET - Rev 1

## DESCRIPTION

The Ethernet driver polls for rectifier, weather and other data from an SMA Sunny Webbox. The MSA Sunny WebBox provided is provided by SMA to provide a human interface to current operation and to provide a portal for remote system monitoring.

This driver can be configured to read data from one or more Webbox's. The Webbox monitors and collates information from attached SMA rectifiers, weather stations and other devices.



## CONNECTION FACTS

| FIELDSEVER MODE | NODES | COMMENTS  |
|-----------------|-------|---|
| Client          | Many  | The FieldServer will be able to poll multiple SMA Web Boxes |
| Server          | 0     | Not supported or documented.                                |

## FORMAL DRIVER TYPE

Ethernet

Client

## COMPATIBILITY

| FIELDSEVER MODEL | COMPATIBLE |
|------------------|------------|
| FS-x2010         | Yes        |
| FS-x2011         | Yes        |
| FS-x40           | Yes        |
| FS-X30           | Yes        |

## CONNECTION INFORMATION

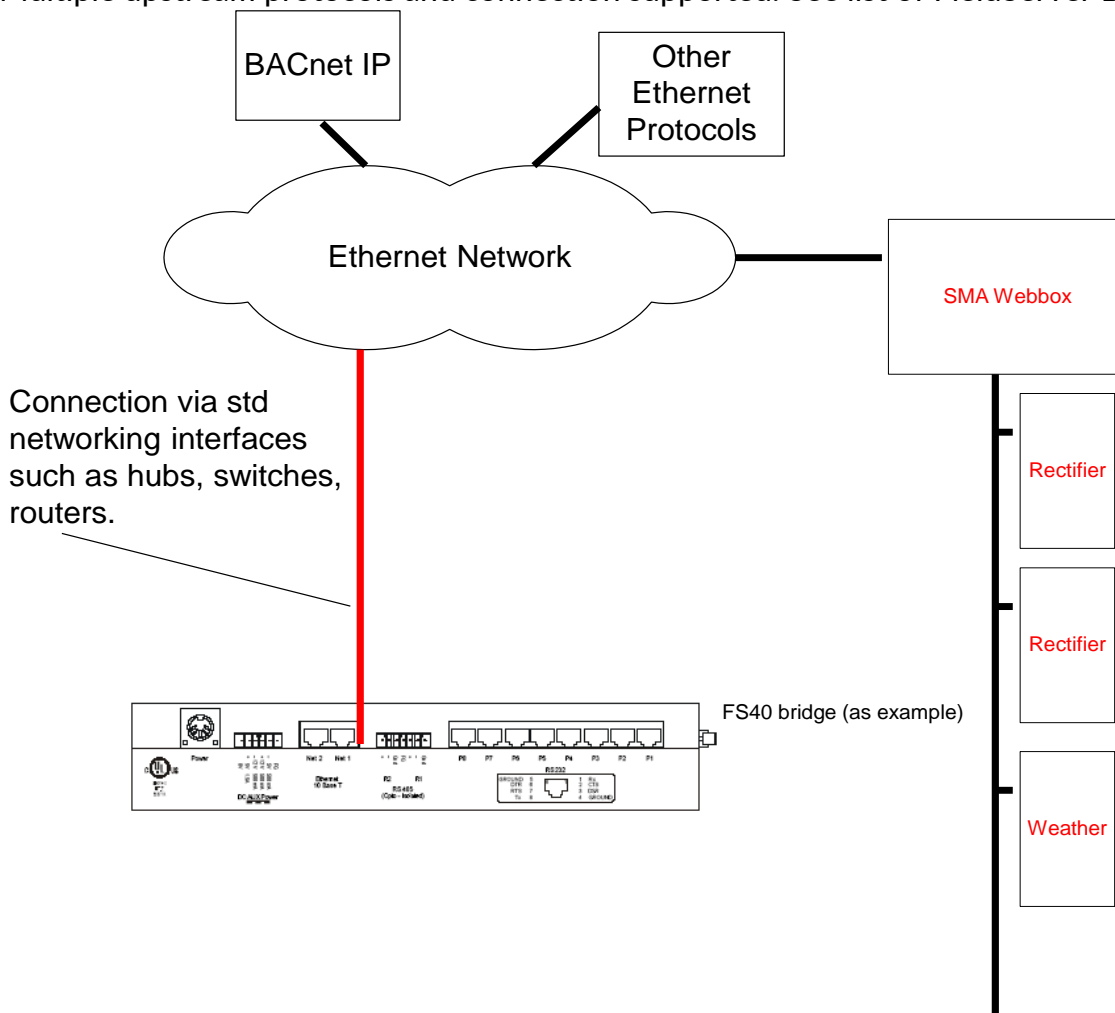
|                       |  |
|-----------------------|--|
| Connection Type:      | Ethernet TCP/IP                                      |
| Hardware Interface:   | FieldServer Ethernet Adapters (N1 / N2 as available) |
| Multidrop Capability: | No   |
| Target Port:          | 80   |

## DEVICES TESTED

| DEVICE     | TESTED (FACTORY, SITE)   |
|------------|--------------------------|
| SMA WebBox | Customer Site, Sept 2011 |

## CONNECTION CONFIGURATIONS

Multiple upstream protocols and connection supported. See list of FieldServer Drivers.



## DRIVER FUNCTIONALITY

The driver is configured to read data from SMA devices. A single gateway devices can read data from many SMA devices (connected via the Sunny Webbox). To configure the driver the device ID (eg. WR6KU009:2001459879 eg. SENS0522:3230) must be known. We are able to provide a procedure to learn this directly from your Webbox in cases where the installer/vendor has not provided this information)

Depending on the device, it reports back the current values of the variables associated with the device. Not all variables are available via the Webbox but most are. The driver is configured to recognize the variable names and uses that match to learn where to store the data in its internal cache. That cache is mapped onto objects of the 2<sup>nd</sup> protocol (eg bacnet) and that is how the gateway serves the SMA data.

The list of recognized variables is user editable so the driver config can be updated to handle to new devices and variables introduced by SMA

In the event that the driver cannot read data from the Webbox, the old data in the gateway will age out. When it has expired the gateway will, if possible report this to you using the 2<sup>nd</sup> protocol. (eg In bacnet, the driver will mark the points as unreliable.)

### Typical Points from a Weather Station

(Any point served by the JSON interface on the WebBox can be mapped)

|              |     |     |                         |
|--------------|-----|-----|-------------------------|
| ExlSolIrr    | ,AI | ,01 | ,watts-per-square-meter |
| IntSolIrr    | ,AI | ,02 | ,watts-per-square-meter |
| OpTm         | ,AI | ,03 | ,No_Units               |
| TmpAmb F     | ,AI | ,04 | ,Deg-F                  |
| TmpMdul F    | ,AI | ,05 | ,Deg-F                  |
| TmpAmb C     | ,AI | ,06 | ,Deg-C                  |
| TmpMdul C    | ,AI | ,07 | ,Deg-C                  |
| WindVel m/s  | ,AI | ,08 | ,meters-per-second      |
| WindVel mph  | ,AI | ,09 | ,miles-per-hour         |
| Backup State | ,AI | ,10 | ,No_Units               |
| Balancer     | ,AI | ,11 | ,No_Units               |
| CO2 saved    | ,AI | ,12 | ,Pounds-mass            |
| Error        | ,AI | ,13 | ,No_Units               |
| E-Total      | ,AI | ,14 | ,kWh                    |
| Event-Cnt    | ,AI | ,15 | ,No_Units               |

## FS-8705-20 – SMA Webbox

---

### Typical Points from a Rectifier

(Any point served by the JSON interface on the WebBox can be mapped)

|             |     |     |              |
|-------------|-----|-----|--------------|
| CO2 saved   | ,AI | ,16 | ,pounds-mass |
| E-Total     | ,AI | ,17 | ,kwh         |
| Fac         | ,AI | ,18 | ,Hz          |
| Grid Type   | ,AI | ,19 | ,No_Units    |
| h-On        | ,AI | ,20 | ,Hours       |
| h-Total     | ,AI | ,21 | ,Hours       |
| Iac         | ,AI | ,22 | ,Amps        |
| Ipv         | ,AI | ,23 | ,Amps        |
| Mode        | ,AI | ,24 | ,MO_units    |
| Pac         | ,AI | ,25 | ,Watts       |
| Power On    | ,AI | ,26 | ,No_Units    |
| Temperature | ,AI | ,27 | ,deg-C       |
| Vac         | ,AI | ,28 | ,Volts       |
| Vpv         | ,AI | ,29 | ,Volts       |

## CUSTOMER SUPPORT

OPCUA Driver for FieldServer was developed by Chipkin, and we are proud to provide support for our products. For technical support, sales and customer service, please call us at 1 (866) 383-1657.

Thanks for choosing Chipkin’s products and integration services to meet your building and industrial automation requirements!

Chipkin™ is a building and industrial automation protocol expert. We develop, configure, install and support gateways (protocol converters), data loggers and remote monitor and controlling applications. Founded in October 2000, Chipkin provides expert solutions for converting BACnet®, Modbus®, and LonWorks®—to name just a few—and enabling interfaces for HVAC, fire, siren, intercom, lighting, transportation and fuel systems. The high-quality products we offer (including those from other vendors) interface with Simplex™, Notifier™, McQuay™, GE™ and many others—so you can rest assured that we will select the most appropriate solution for your application.

With Chipkin you are buying a solution. Our configuration expertise in this field combined with free BACnet and other tools ensure your success; and our customer support via phone, email and remote desktop tools means that we are there when you need us. Chipkin is a small responsive company, and we live or die by the quality of our service—and with offices in two time zones—we can provide support when you need it. Give us a call now!

## Sales and Customer Service

Toll Free: +1 866 383 1657

Email: salesgroup1@chipkin.com

All contents are Copyright © 2000-2021 Chipkin Automation Systems Inc. All rights reserved.  
This document is Chipkin Public Information

## REVISION HISTORY

This table summarizes the update history for this protocol data sheet. Please contact Chipkin by phone or email for an updated version of this document.

| DATE        | RESP. | DRIVER VERSION | DOCUMENT REVISION | COMMENTS                   |
|-------------|-------|----------------|-------------------|----------------------------|
| 18 Oct 2011 | PMC   | 0.00           | 0                 | Created document           |
| 11 Jun 2021 | YC    | 0.00           | 1                 | Updated to latest template |