

ITEM

PART NO.

DESCRIPTION

ITEM

PART NO.

DESCRIPTION

ITEM

DESCRIPTION

U1	4528	DUAL MONOSTABLE IC	LED1	521-9175	DIALIGHT GREEN LED T-1 3/4
U2	SN75176AP	T LINE TRANSCIVER IC	LED2	521-9212	DIALIGHT RED LED T-1 3/4
U3	74HC04	HEX INVERTER IC	F1	313.2000	LITTLEFUSE 3AG 2/10A SLO
U5	8501-17-0	MOTOROLA 146805 BA-CPU IC	MOV1	V8ZA1	GE MOV 5.5V
U8	ADE-08	ALCOSWITCH 8-POSN DIP SW	MOV2	V8ZA1	GE MOV 5.5V
			MOV3	V27ZA1	GE MOV 22V
R1	1.0K 1/4W 5%	RESISTOR	Y1	NDK-040	NDK 4.0000 MHZ XTAL
R2	4.7K 1/4W 5%		HS1	5070B	AAVID HEAT SINK
R3	1.0M 1/4W 5%		HS2	5070B	AAVID HEAT SINK
R4	1.0M 1/4W 5%		SU1	DILB16P	BURNDY 16-PIN DIP SOCKET
R5	470 1/4W 5%		SU2	DILB8P	BURNDY 8-PIN DIP SOCKET
R6	470 1/4W 5%		SU3	DILB14P	BURNDY 14-PIN DIP SOCKET
R7	4.7K 1/4W 5%		SU5	DILB40P	BURNDY 40-PIN DIP SOCKET
R8	10K 1/4W 5%	RESISTOR	SF1A	102074	LITTLEFUSE PCB CLIP
R15	10M 1/4W 5%		SF1B	102074	LITTLEFUSE PCB CLIP
RP1	08X-1-223	BOURNS 4608X-101 22K SIP	W#	TSW13607TS	SAMTEC TERMINAL STRIP SNG
RP2	10X-1-104	BOURNS 4610X-101 100K SIP	W7	929950-00	APTRONICS MIDGE PROG JUMP
C1	100UF 16VR	PANASONIC ECE-A16Z100	W8	929950-00	APTRONICS MIDGE PROG JUMP
C2	100UF 16VR	PANASONIC ECE-A16Z100	HARDWARE	0632PPM038	6-32 X 3/8 PHIL PAN HD SCR
C6	470UF 25VR	PANASONIC ECE-A25Z470	HARDWARE	06LHU	#6 KEP NUT
C7	22pF	PANASONIC ECC-D2H220KE			
C8	22pF	PANASONIC ECC-D2H220KE			
C9	.01UF 50V	PANASONIC ECQ-V1H103JZ			
C10	.01UF 50V	PANASONIC ECQ-V1H103JZ			
C11	1.0UF 10V	PANASONIC FIVE105K			
C12	1.0UF 10V	PANASONIC FIVE105K			
C16	.01UF 50V	PANASONIC EC1-V1H103JZ			
C18	10UF 16V	PANASONIC F16E10			
VR1	7812	VOLT REG 12V TO-220 CASE			
VR2	7805	VOLT REG 5V TO-220 CASE			
CR4	1N4004	DIODE 1A 400 PIV			
CR1	1N914	DIODE SIGNAL			
CR27	1N4004	DIODE 1A 400 PIV			
Q1	2N3904	NPN TRANSISTOR			
S1	MSSA104DRA	ALCOSWITCH SPST SLIDE SWITCH			
TB1a	1754436	PHOENIX MSTB 1.5/2-G			
TB1b	1754449	PHOENIX MSTB 1.5/2-ST			
TB2a	1754436	PHOENIX MSTB 1.5/2-G			
TB2b	1754449	PHOENIX MSTB 1.5/3-ST			
TB3a	1754452	PHOENIX MSTB 1.5/3-G			
TB3b	1754465	PHOENIX MSTB 1.5/3-ST			
TB4a	1754452	PHOENIX MSTB 1.5/3-G			
TB4b	1754465	PHOENIX MSTB 1.5/3-ST			


NOTE: ACTUAL TERMINAL PINS REQ'D = 40



SCALE: NONE	SHEET NO.
DATE: 5/7/85	
DRAWN BY: DC	
APPROVED BY: <i>aje</i>	
REMARKS:	MPU - POWER SUPPLY SECTION PARTS LIST
DWG ID: 8611-02-0	

REV	DATE	REASONS
F	11/20/87	

ITEM	PART_NO.	DESCRIPTION
U9	SX-1023	CRYSTALOID LCD DISPLAY
U12	HLCD0438A	HUGHES LCD DRIVER IC
C29	47pF	PANASONIC ECC-D2H470KE
SU9A	510AG92D20	AUGAT SIP SOCKET
SU9B	510AG92D20	AUGAT SIP SOCKET
SU12	DILB40P	BURNDY 40-PIN DIP SOCKET



BARRINGTON SYSTEMS

REV	DATE	REASONS
F	11/20/87	

SCALE: NONE DATE: 5/7/85 DRAWN BY: DC APPROVED BY: <i>DC</i> REMARKS: DWG ID: 8501-02-1	SHEET NO.
LCD DRIVER SECTION PARTS LIST	


ITEM	PART NO.	DESCRIPTION
U10	16R-1-103	BOURNS 4116R-001 10K DIP
U13	LM324N	QUAD OP-AMP IC
U14	AD7226KN	ANALOG DEVICES 4 CH D/A
R18	100K 1/4W 5%	RESISTOR
R19	10 1/4W 5%	RESISTOR
R20	10 1/4W 5%	RESISTOR
R21	10 1/4W 5%	RESISTOR
R22	10 1/4W 5%	RESISTOR
C30	.01uF 50V	PANASONIC ECQ-VIH103JZ
C31	.01uF 50V	PANASONIC ECQ-VIH103JZ
CR7	1N5242	12V ZENER 1/2W
CR8	1N5242	12V ZENER 1/2W
CR9	1N5242	12V ZENER 1/2W
CR10	1N5242	12V ZENER 1/2W
SU13	DILB14P	BURNDY 14-PIN DIP SOCKET
SU14	DILB20P	BURNDY 20-PIN DIP SOCKET
TB5a	1754559	PHOENIX MSTB 1.5/8 - G
TB5b	1754562	PHOENIX MSTB 1.5/8 - ST



REV	DATE	REASONS
F	11/20/87	

SCALE: NONE	SHEET NO.
DATE: 5/7/85	
DRAWN BY: DC	
APPROVED BY: <i>RLC</i>	
REMARKS:	
DWG ID: 8501-02-3	
ANALOG OUTPUT D/A SECTION PARTS LIST	

ITEM	PART NO.	DESCRIPTION
U15	74HC573	OCTAL D FLIP-FLOP IC
U16	74HC14	HEX SCHMITT TRIGGER IC
U17	74HC14	HEX SCHMITT TRIGGER IC
U18	16R-1-105	BOURNS 4116R-001 1M DIP
U19	.01uF DIP8	SPRAGUE 926CZ5U10.3M0508
C32	.01uF 50V	PANASONIC ECQ-V1H103JZ
R17	100K 1/4W 5%	RESISTOR
RP4	10X-1-103	BOURNS 14610X-101 10K SIP
CR11	1N4004	DIODE 1A 400PIV
SW2	320M-E1-1 RED	PUSH BUTTON
SW3	320M-E1-1 RED	PUSH BUTTON
SW4	320M-E1-1 RED	PUSH BUTTON
SW5	320M-E1-1 RED	PUSH BUTTON
SU15	DILB20P	BURNDY 20-PIN DIP SOCKET
SU16	DILB14P	BURNDY 14-PIN DIP SOCKET
SU17	DILB14P	BURNDY 14-PIN DIP SOCKET



BARRINGTON SYSTEMS

REV	DATE	REASONS
F	11/20/87	

SCALE: NONE			SHEET NO.
DATE: 5/7/85			
DRAWN BY: DC			
APPROVED BY: <i>RJC</i>			
REMARKS:			
DWG ID: 8501-02-4A			
SWITCH SECTION PARTS LIST			

ITEM	PART NO.	DESCRIPTION
CR12	1N4004	DIODE 1A 400PIV
CR13	1N4004	DIODE 1A 400PIV
CR14	1N4004	DIODE 1A 400PIV
CR15	1N4004	DIODE 1A 400PIV
TB6a	1754559	PHOENIX MSTB 1.5/8 - G
TB6b	1754562	PHOENIX MSTB 1.5/8 - ST



SCALE: NONE
DATE: 5/7/85
DRAWN BY: DC
APPROVED BY: *RJC*
REMARKS:
DWG ID: 8501-02-48


SHEET NO.

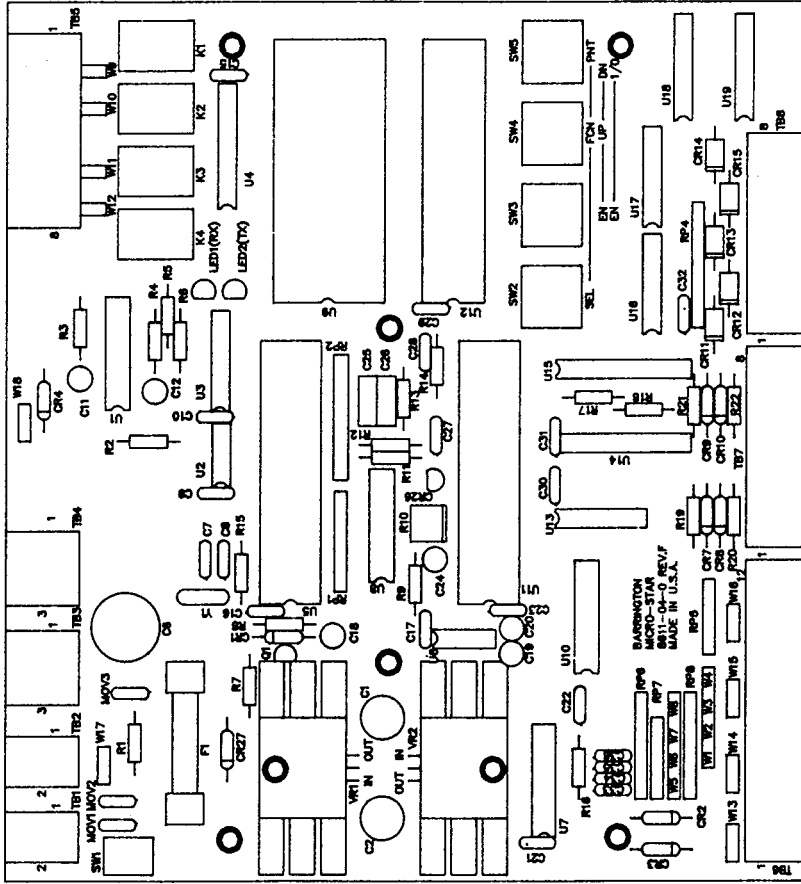
DIGITAL INPUT SECTION
PARTS LIST

REV	DATE	REASONS
F	11/20/87	

ITEM	PART NO.	DESCRIPTION
U4	ULN2803A	SPRAGUE DARLINGTON ARRAY
C15	.01uF 50V	PANASONIC ECQ-VIH103JZ
K1	AZ5-12DSE	AMERICAN ZETTLER PC RELAY
K2	AZ5-12DSE	AMERICAN ZETTLER PC RELAY
K3	AZ5-12DSE	AMERICAN ZETTLER PC RELAY
K4	AZ5-12DSE	AMERICAN ZETTLER PC RELAY
TB3a	1754559	PHOENIX MSTB 1.5/8 - G
TB3b	1754562	PHOENIX MSTB 1.5/8 - ST
SU4	DILB18P	BURNDY 18-PIN DIP SOCKET
W9	929950-00	APTRONICS MIDGE PROG JUMPER
W10	929950-00	↓
W11	929950-00	↓
W12	929950-00	↓

NOTE: SEE DRAWING 8611-02-0 W# PIN STRIPS

		SCALE: NONE	SHEET NO.
		DATE: 5/7/85	
REV		DRAWN BY: DC	DIGITAL OUTPUT SECTION PARTS LIST
DATE		APPROVED BY: <i>gjc</i>	
11/20/87		REMARKS:	
F		DWG ID: 8501-02-5	
REASONS			

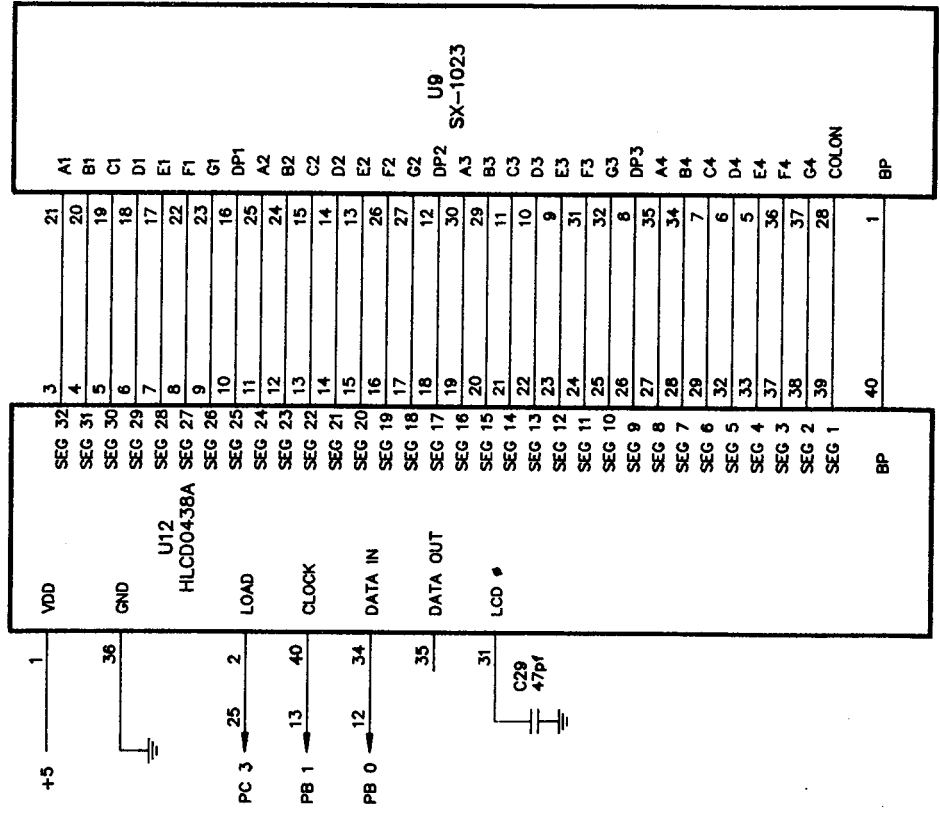



SHEET NO.

SCALE: NONE
 DATE: 5/8/91
 DRAWN BY: JB
 APPROVED BY:
 REMARKS:
 DWG ID: 8611-04-0

REV DATE REASONS

MicroSTAR
 PCB ASSEMBLY



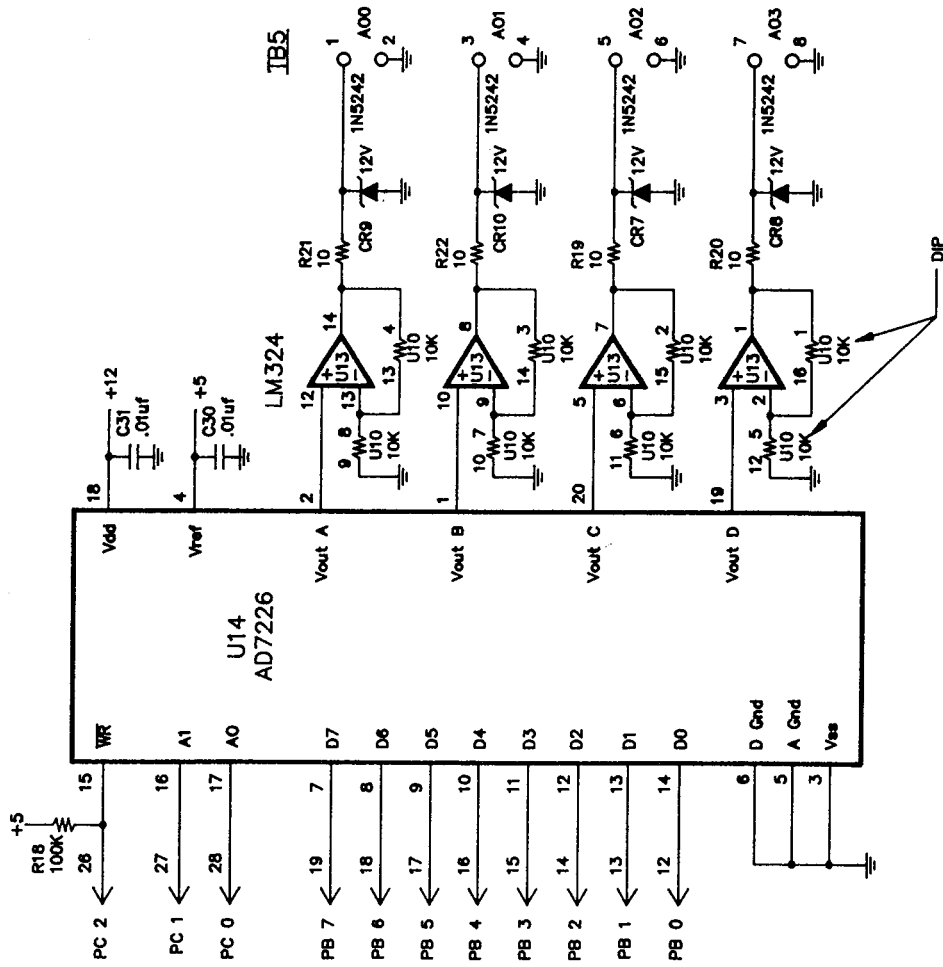


SCALE: NONE
 DATE: 2-13-85
 DRAWN BY: DC
 APPROVED BY: *HC*
 REMARKS:
 DWG ID: 8601-08-1


REV	DATE	REASONS
F	11/20/87	

LCD DRIVER SECTION
SCHEMATIC DIAGRAM

SHEET NO.



U13
LM324
PIN 4 +12
PIN 11 GND



SHEET NO.

SCALE: NONE

DATE: 2-13-85

DRAWN BY: DC

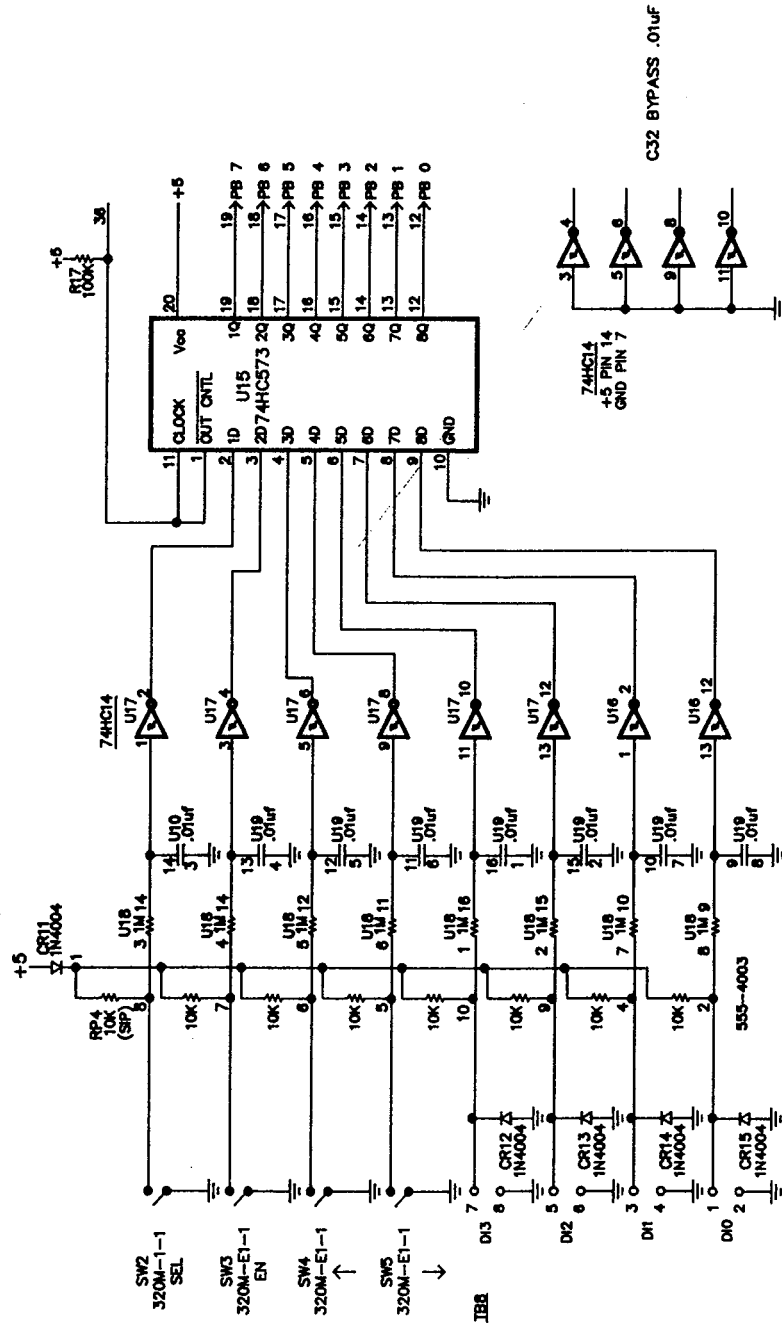
APPROVED BY: *RLC*


REMARKS:

DWG ID: 6501-08-3

REV	DATE	REASONS
F	11/20/87	

ANALOG OUTPUT D/A SECTION
SCHEMATIC DIAGRAM

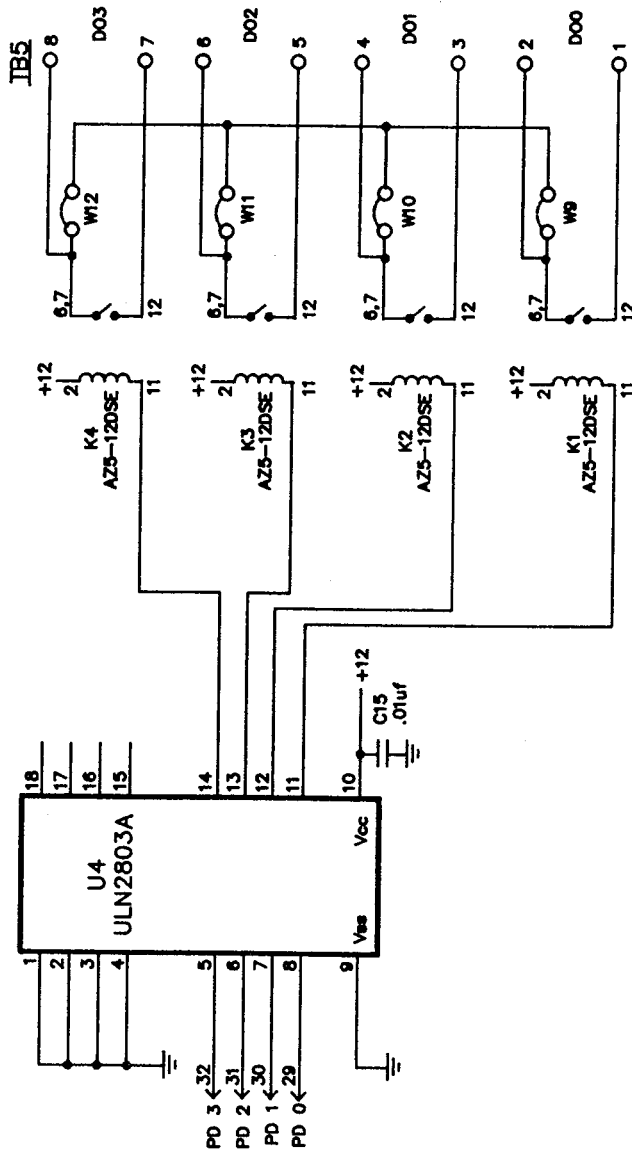




SCALE: NONE
 DATE: 2-13-85
 DRAWN BY: DC
 APPROVED BY: *gic*
 REMARKS:
 DWG. ID: 8501-08-4

REV	DATE	REASONS
F	11/20/87	

DIGITAL INPUT SECTION
 SCHEMATIC DIAGRAM



BARRINGTON SYSTEMS

REV	DATE	REASONS
F	11/20/87	

SCALE: NONE	SHEET NO.
DATE: 2-21-85	
DRAWN BY: DC	
APPROVED BY: <i>RJC</i>	
REMARKS:	
DWG ID: 8501-08-5	

DIGITAL OUTPUT SECTION
SCHEMATIC DIAGRAM