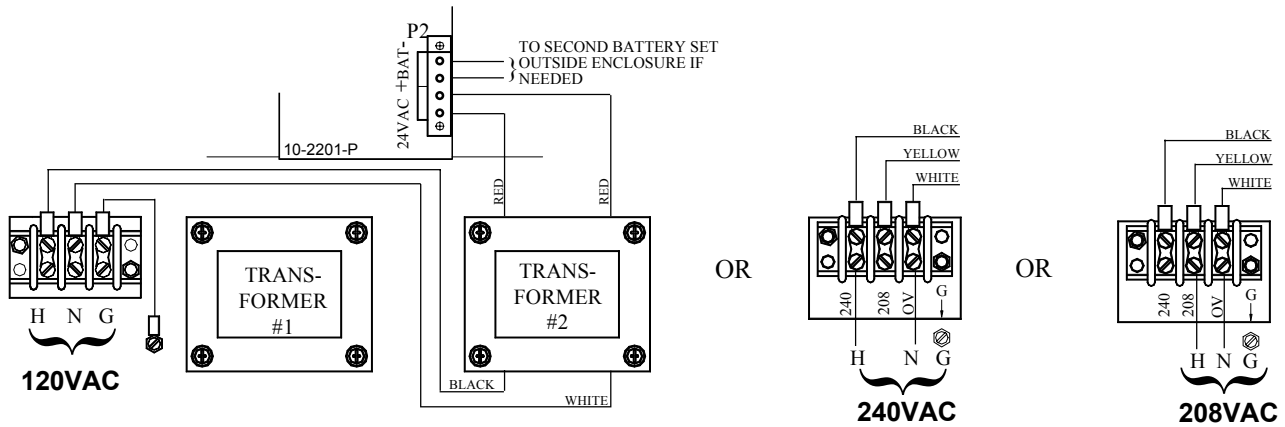
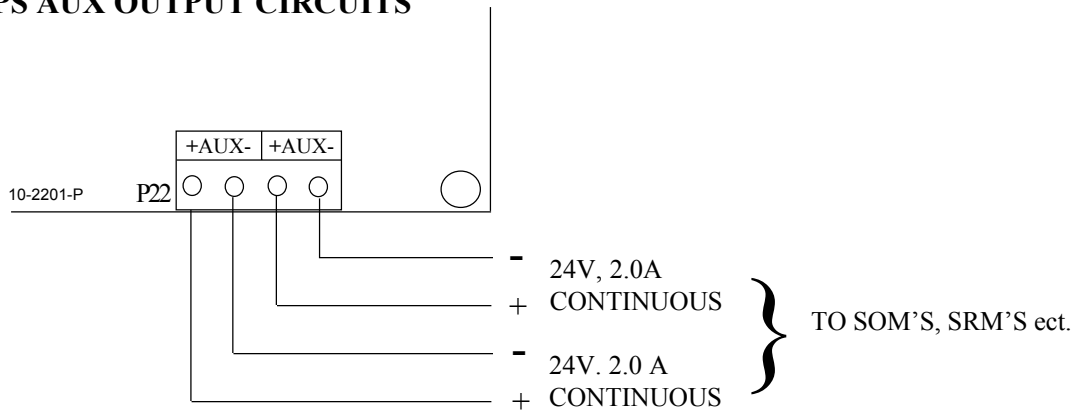


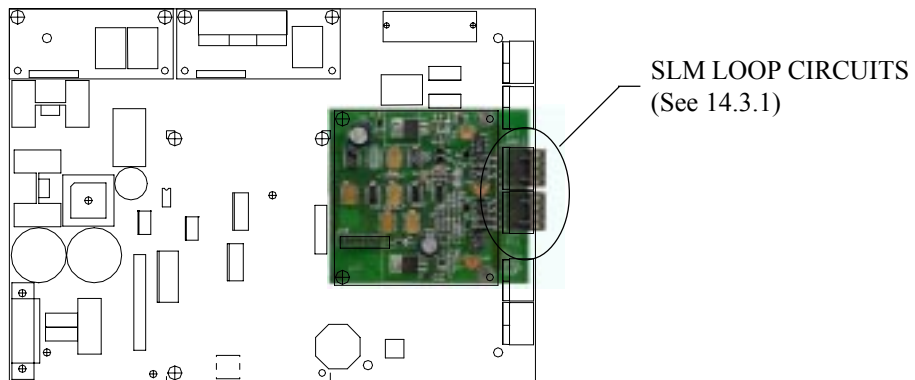
14.2.1 SPS AC/BATT CONNECTIONS



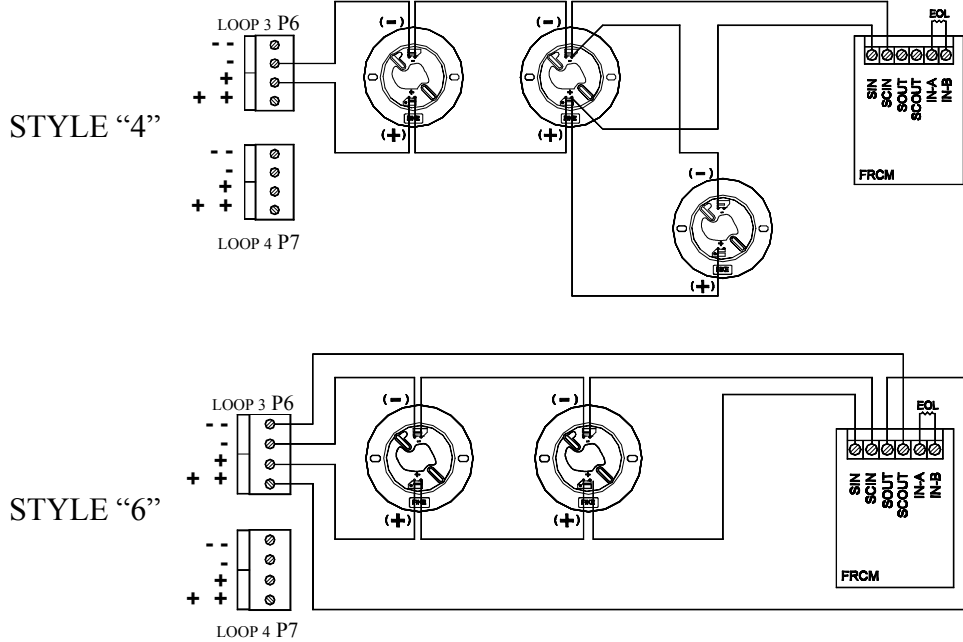
14.2.2 SPS AUX OUTPUT CIRCUITS



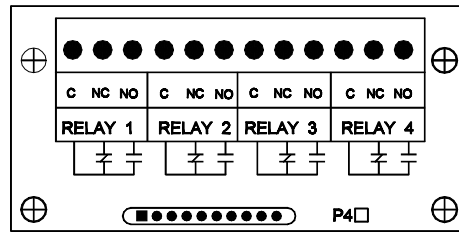
14.3 SUPPLEMENTAL LOOP MODULE, (SLM) P/N 10-2203



14.3.1 SUPPLEMENTAL MODULE LOOP CIRCUITS

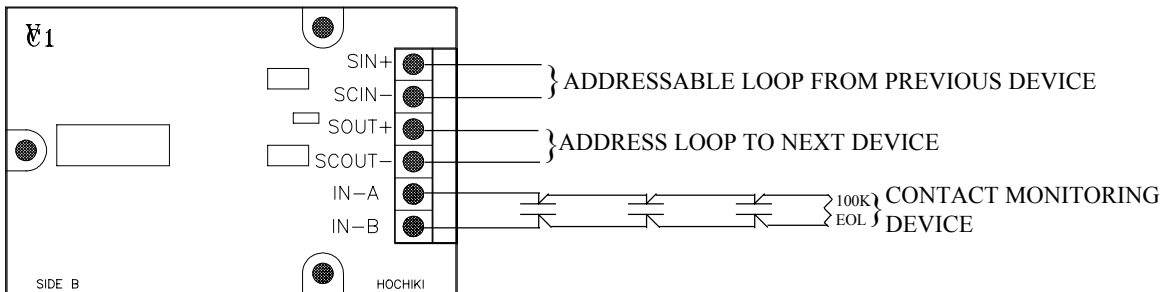


14.4 CHEETAH RELAY MODULE, (CRM4) P/N 10-2204



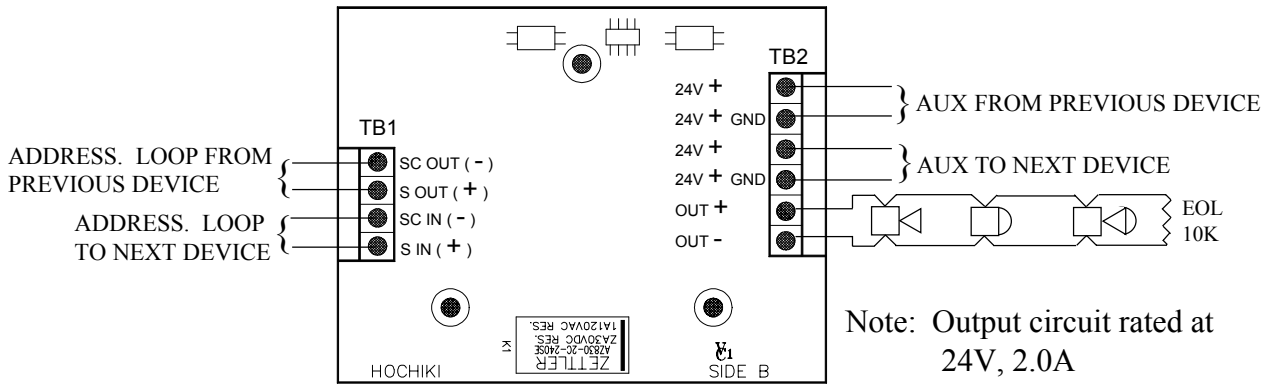
14.5 FAST RESPONSE CONTACT MONITOR

55-019 MOUNTED TO 4" BOX
55-020 SHRINK WRAPPED

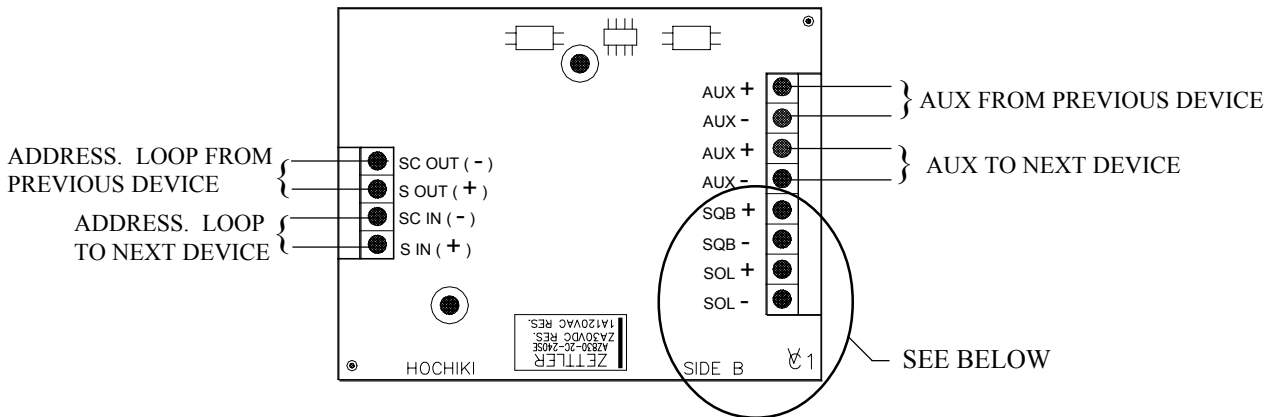


Note: Only use momentary switches if programmed for ABORT or RESET

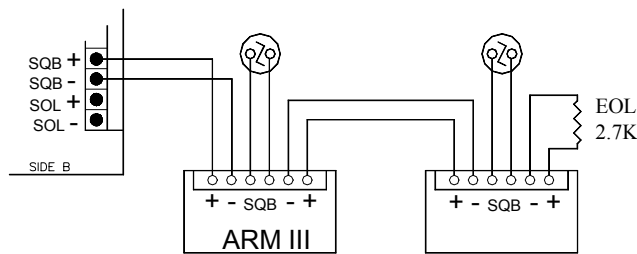
14.6 SUPERVISED OUTPUT MODULE, (SOM) P/N 55-021



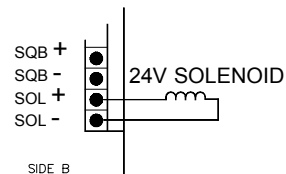
14.7 SOLENOID RELEASING MODULE, (SRM) P/N 55-022



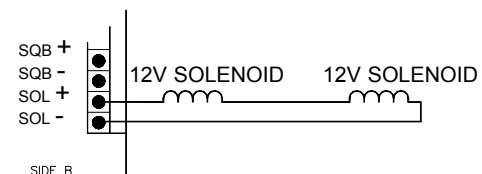
AGENT RELEASE MODE



24V SOLENOID MODE



12V SOLENOID MODE



14.8 RELAY DUAL MODULE, (R2M) P/N 55-023

