



TEYRC Remote Operated Circuit Breaker Installation Into A Series® Lighting Control Panel boards

Installer Instructions

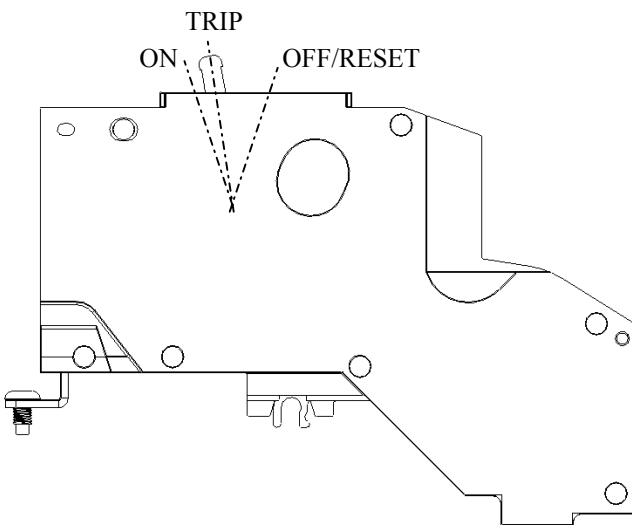
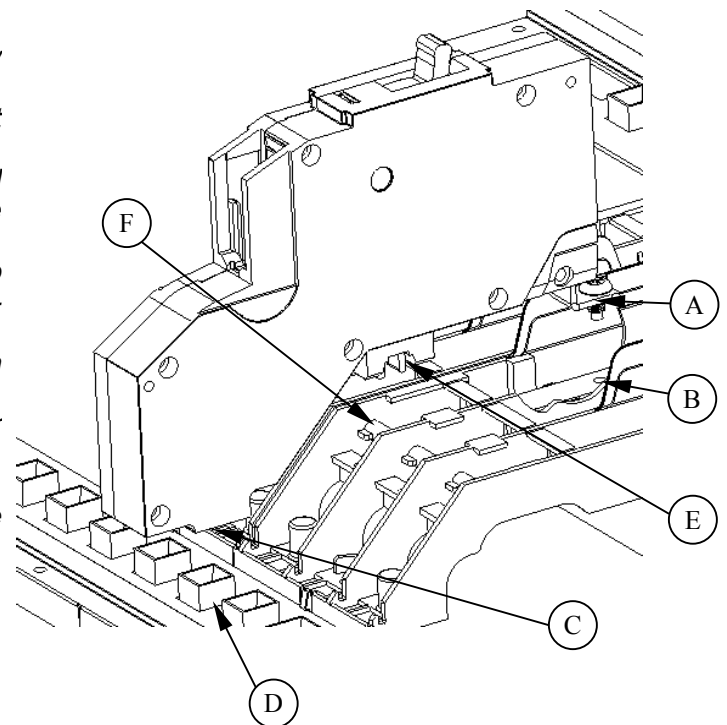
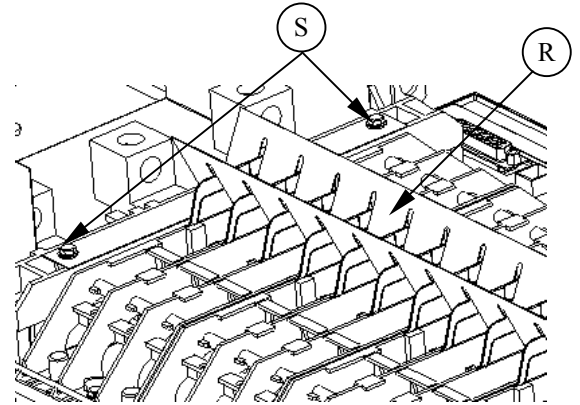


WARNING: Danger of electrical shock or injury. Turn OFF power service to the Line side of the panelboard or switchboard before working inside the equipment or removing any component. Equipment is to be installed and maintained by properly trained and qualified personnel only.

Installation Procedure

1. Make sure that all power supplying this equipment is disconnected before working.
2. Remove panel front and dead front. Use voltmeter for verification of power off before proceeding.
3. Remove backplane connector Plug Cap if necessary.
4. Remove Center Barrier(R) before installing breaker by unscrewing the screws(S) at top and bottom end
5. Turn the handle to OFF position before installing circuit breaker
6. Align Bolt-On screw (A) with the tapped hole in the Panel Busbar straps(B) and the Breaker Connector(C) to the Backplane connector (D) respectively.
7. Push circuit breaker Straight down, Don't rotate Breaker, so that the Clip (E) plugs into rail(F) provided on panel 3x-base.
8. Tighten Bolt-On Screw into tapped hole in the Busbar(B) in Panel Board. Tighten screw(s) to 35 lb-in(3.95 Nm)
9. Assemble the Center barrier back in to the panel after installing the breaker
10. Reinstall Dead front and Panel front.

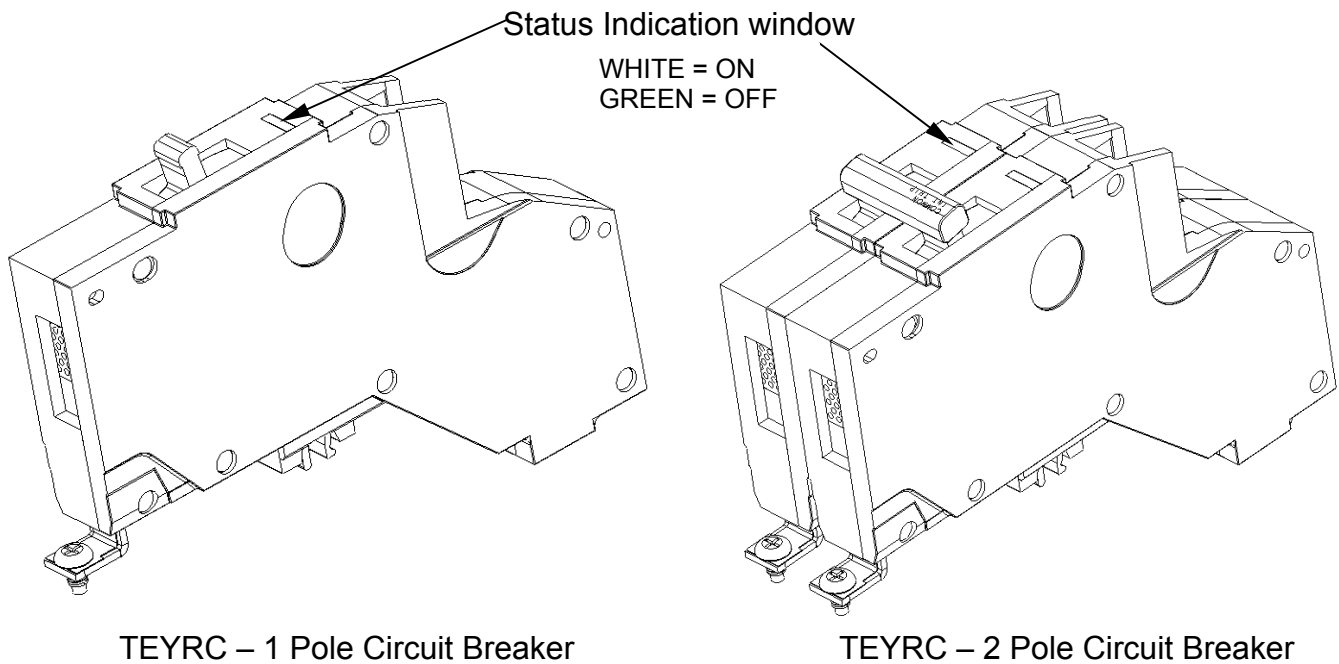
Note: Do not unsnap circuit breaker from panel board after line terminal screw(s) are tightened.



Features

- TEYRC remotely operated circuit breakers are used in A Series® Lighting Control Panel boards. They protect from Over load and short-circuit as in regular TEY and has integral remote switching ON/OFF capability.
- This Circuit Breaker has Status indicator to indicate the status of the Contact. White indicates the circuit breaker is in the ON position. Green Indicates that the circuit breaker is in the OFF position.
- This Circuit breaker has a provision to override the remote operation function. Using this feature the breaker can be tuned ON/OFF independent of the signal/status of controller. Bringing the Handle to the OFF/RESET position disengages the remote operation. Now the breaker can be turned ON or OFF based on the position of the handle

NOTE: Remote operation will be inactive when the breaker Handle is moved to OFF position or the breaker is tripped



Install label Part number 10094046P1, supplied along with the breaker, on the equipment mounted with TEYRC breakers. This Label to be installed so that it is clearly visible without removing the cover/trim of the equipment

Trouble Shooting Guidelines

Condition	Possible Cause	Solution
<i>Circuit breaker is not closed(Breaker trips).</i>	1. <i>Short circuit/overload on system</i>	1. <i>Check system for short circuit or overload</i>
<i>Circuit breaker fails to switch ON/OFF remotely</i>	1. <i>Breaker Handle in OFF position</i> 2. <i>Breaker is tripped</i> 3. <i>Loose connection between the breaker and backplane connectors.</i> 4. <i>Circuit breaker not installed properly</i>	1. <i>Bring handle to the ON position</i> 2. <i>Reset and Switch On the breaker</i> 3. <i>Check for Proper Installation</i>